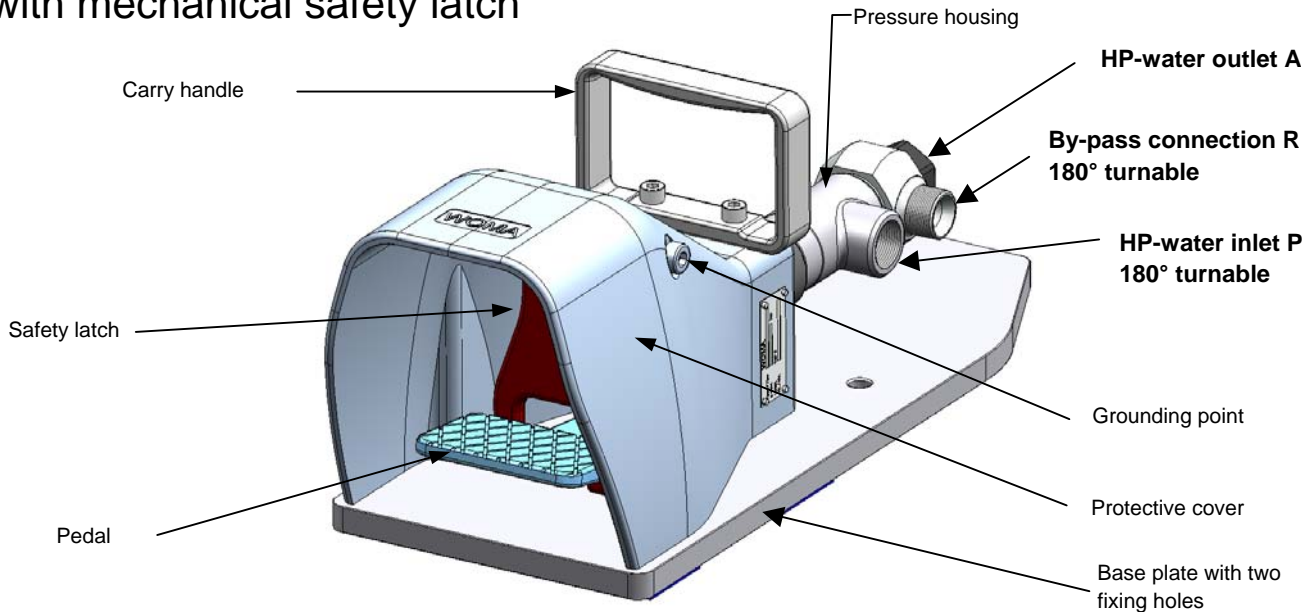


Foot Valve FV3000-VDF

with mechanical safety latch



Description:

Rugged and reliable high-pressure bypass foot valve to close/open a pressure water line by means of a mechanical valve.

Actuation via foot pedal with mechanical safety latch. The safety latch opens at actuation and independently returns back to the normal position.

In not actuating pedal position, the flow medium will be led through the bypass line and the high-pressure unit becomes pressureless.

Hose connectors for HP-water inlet (P) and HP-water outlet (A) – see page 2.

All parts coming in contact with the pumped media are of rust- and acid resistant stainless steel.

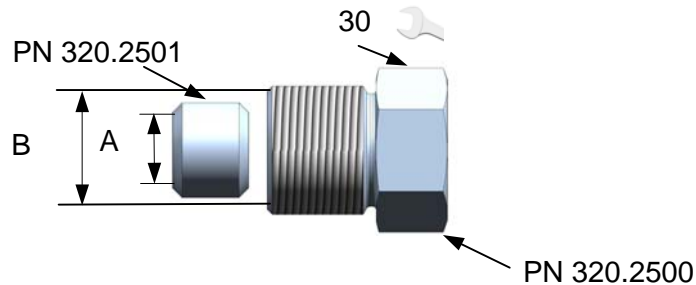
Special characteristics:

- Applicable for a variety of applications
- Compact and rugged due to solid construction
- High safety standard
- Large protection cover and mechanical safety latch protects against unintended actuation
- Large area chequered pedal for safe actuation
- Low actuating force due to forward feed control
- Large nominal flow rate
- Turnable pressure housing and bypass connection
- Suitable for using seawater and demineralised water
- All functional parts are protected from dirt and water invasion.

Order information and technical data:

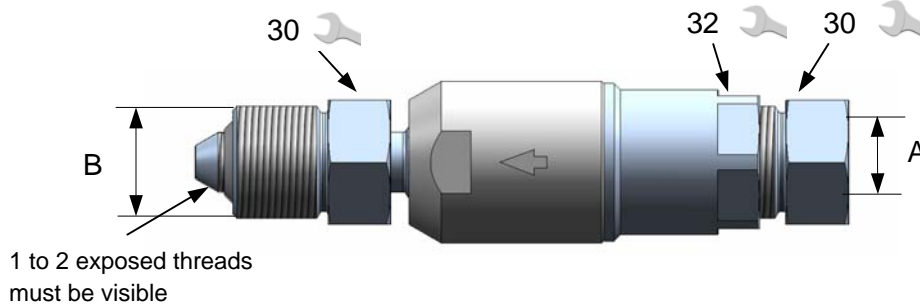
Part-No.:	001.1917
Operating pressure:	3000 bar
Medium:	Water
Nominal flow rate:	45 l/min
Medium temperature:	+100 °C
Weight:	11 kg
Length:	500 mm
Height:	200 mm
Width:	185 mm
Connection (P):	Female thread 1 1/8-12UNF
Connection (A):	Female thread 1 1/8-12UNF
Connection (R):	Male thread G3/4 60° DK

Hose connector for connections A and P
Includes thrust collar and pressure screw.



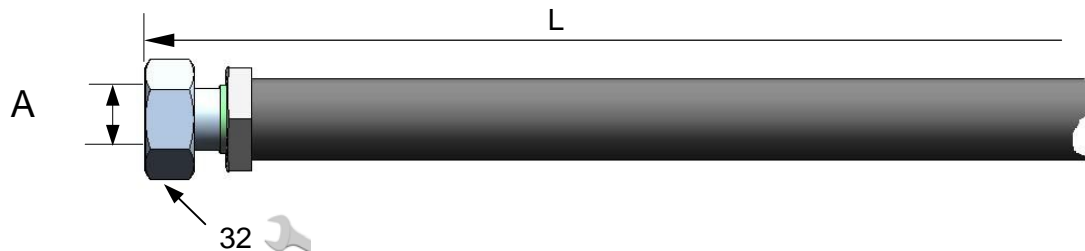
Part-No.	Thrust collar PN 320.2501 Thread A	Pressure screw PN 320.2500 Thread B	Operating pressure (bar)	Tightening Torque (Nm)
010.8172	9/16-18UNF LH	1 1/8-12UNF	3000	160

Turnable hose connector for connection A and P



Part-No.	Thread A	Thread B	Operating pressure (bar)	Tightening torque (Nm)
011.1652	9/16-18UNF LH	1 1/8-12UNF	3000	160

Bypass hose for connection R



Part-No.	Thread A	Hose DN	Length L (m)
360.4392	G3/4 60° DK	20 mm	1,5