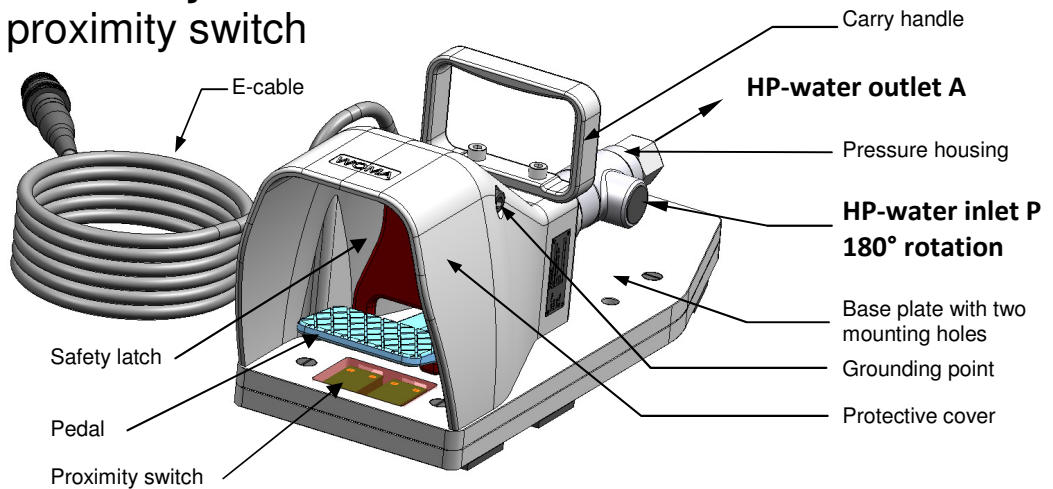
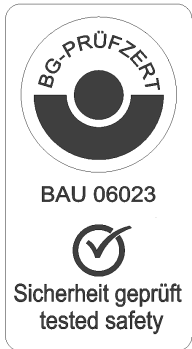


# Foot Valve FV1500S-V-E with mechanical safety latch and inductive proximity switch



## Description:

Rugged and reliable foot valve to close/open a high pressure line – normal position closed -.

Actuated via foot pedal with mechanical safety latch. The safety latch opens at actuation and independently returns back to the normal position.

The foot valve is equipped with a proximity switch, which senses the pedals position and send a control signal.

The foot valve allows the operator to remotely control additional valves and operate complex control systems, which increases operational safety and comfort.

The foot valve can be delivered with a variety of hose connectors for HP-water inlet (P) and HP-water outlet (A).

All parts coming in contact with the pumped media are of rust- and acid resistant CrNi-steel.

## Special characteristics:

- Design tested safety foot valve by the Employers Liability Insurance Association.  
Mark of Conformity: BAU 06023
- Applicable for a variety of applications.
- Compact and rugged due to solid construction.
- High safety standard.
- Large protection cover and mechanical safety latch protect against unintended actuation.
- Large area chequered pedal for safe actuation.
- Low actuating force due to forward feed control.
- Large nominal flow rate.
- Rotating pressure housing.
- Suitable for using seawater and demineralised water.
- All functional parts are protected from dirt and water invasion.

## Order information and technical data:

Type:	FV1500S-V-E-EXI	FV1500S-V-E-24V
Part-No.:	001.1633	001.1634
Operating pressure:	1500 bar	1500 bar
Medium:	Water	
Nominal flow rate:	85 l/min	
Medium temperature:	+100 °C	
Weight:	12 kg	
Length:	500 mm	
Height:	200 mm	
Width:	185 mm	
Connection (P):	iM22x1,5	
Connection (A):	iM26x1,5	

# Components

## Hose connectors und turnable hose connectors

Hose connector for connection A Includes adaptor, counter nut, sealing ring and protection plug.								
Part-No.:	Thread A	Angle $\alpha$	Thread B	L1 (mm)	L2 (mm)	SW1 (mm)	SW2 (mm)	Operation pressure (bar)
011.1267	M22x1,5	60°	M26x1,5	70	20	27	32	1500
011.1268	M22x1,5	24°		67	17			
011.1269	M24x1,5	24°		70	20			
011.1602	G1/2	60°		70	20			
011.2826	G3/4	60°		70	20			
Hose connector for connection P Includes adaptor, counter nut, sealing ring and protection plug.								
Part-No.:	Thread A	Angle $\alpha$	Thread B	L1 (mm)	L2 (mm)	SW1 (mm)	SW2 (mm)	Operation pressure (bar)
010.7911	M22x1,5	24°	M22x1,5	79	20	27	32	1500
010.7912	M22x1,5	60°		76	17			
010.7913	M24x1,5	24°		79	20			
010.7914	G 1/2	60°		79	20			
010.7915	G 3/4	60°		79	19			
Turnable hose connector for connection A								
Part-No.:	Thread A	Angle $\alpha$	Thread B	L1 (mm)	L2 (mm)	SW1 (mm)	SW2 (mm)	Operation pressure (bar)
011.1598	M22x1,5	24°	M26x1,5	117	20	31	27	1500
011.1599	M22x1,5	60°						
011.1600	M24x1,5	24°						
011.1601	G 1/2	60°						

Thread M as per DIN 13/ISO 261; Thread G as per DIN ISO 228/1