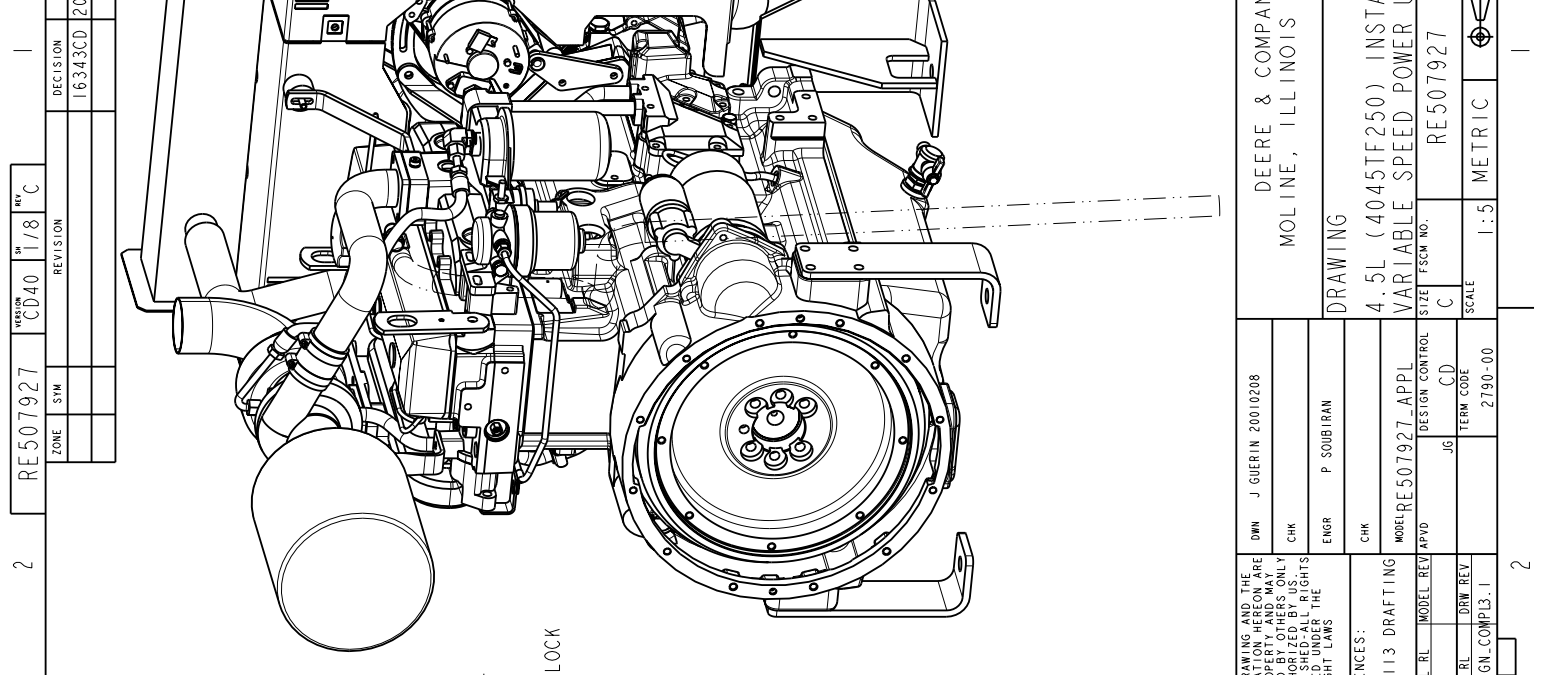


| | | | | |
|------|-----|----------|----------|----------|
| ZONE | SYM | REVISION | DATE | APPROVED |
| | | 16343CD | 20010208 | JG |



| ESTIMATED VALUES | |
|-------------------|---------------|
| CENTER OF GRAVITY | |
| X | 10 |
| Y | -263 |
| Z | 145 |
| MASS kg | |
| | 509 |
| FAN HEIGHT mm/in | |
| | 290.0 / 11.42 |

WATER VOLUME OF RADIATOR : 13 L

ORIGIN - CENTERLINE OF CRANKSHAFT AT REAR FACE OF BLOCK

+X +Y +Z

5 10 125 250

IN MM

SCALE

| OPTIONS SHOWN | |
|---------------|----------------------------------|
| OPTION | GROUP NAME |
| 1101-RE57606 | ROCKERARM COVER FRONT FILL |
| 1299-RE57761 | NO OIL FILL |
| 1302-RE59693 | CRANKSHAFT PULLEY - 168mm DIA |
| 1433-RE504039 | FLYWHEEL HOUSING (SAE #3) |
| 1503-RE59281 | FLYWHEEL, 11.5in OC CLUTCH |
| 1606-RE59854 | FUEL INJECTION PUMP |
| 1740-RE503262 | AIR INLET |
| 1816-RE504379 | AIR FILTER (MEDIUM) |
| 1949-RE502896 | OIL PAN |
| 2002-RE57779 | WATER PUMP PULLEY 112mm DIA. |
| 2109-RE70445 | THERMOSTAT COVER |
| 2312-RE70176 | FAN DRIVE |
| 2510-RE505381 | SUCTION FAN |
| 2713-RE504267 | RADIATOR |
| 2803-RE59261 | EXHAUST MANIFOLD |
| 2904B-RE69291 | VENT TUBE W/ 90 DEG. ELBOW |
| 3052-RE503997 | STARTING MOTOR - 1SKRA 12V 3.1KW |
| 3115-RE503611 | ALTERNATOR - 12V, 55 AMP |
| 3515-RE60018 | FUEL FILTER |
| 3601-RE57614 | FRONT PLATE |
| 3702-RE68344 | FUEL TRANSFER PUMP |
| 4017-RE500925 | STANDARD RHS DIPSTICK |
| 4701-RE53341 | CRANKSHAFT |
| 5702-RE59312 | WATER PUMP INLET |
| 5901-RE59752 | OIL COOLER - 5 PLATE |
| 6211-RE500840 | ALTERNATOR MOUNTING |
| 6412-RE503298 | EXHAUST ELBOW |
| 6577-RE503096 | TURBOCHARGER |
| 6609-RE503920 | WATER TEMPERATURE SWITCH |
| 6799-RE60159 | NO TACHOMETER SENSOR |
| 7503-RE58942 | INDICATOR, RESTRICTION |
| 7625-RE506952 | OIL PRESSURE SWITCH |
| 8605-RE60114 | FAN PULLEY, 168 mm |
| 8711-RE502305 | MANUAL TENSIONER |
| 8801-RE59753 | OIL FILTER - HIGH VERTICAL |
| 913G-RE507166 | REAR BRACKET |

| | | | |
|-------------|---|----------------|-------------------|
| MATL | THIS DRAWING AND THE INFORMATION HEREON ARE OUR PROPERTY AND MAY BE REPRODUCED OR TRANSMITTED IN ANY FORM OR BY ANY MEANS, ELECTRONIC OR MECHANICAL, WITHOUT PERMISSION IN WRITING. ALL RIGHTS RESERVED UNDER THE APPLICABLE LAWS OF THE U.S.A. | DWN | J GUERIN 20010208 |
| SEE DETAILS | REFERENCES: | CHK | |
| | JDS-G113 DRAFTING | ENGR | P SOUBIRAN |
| | MODEL RE507927_APPL | CHK | |
| | MODEL RL | DESIGN CONTROL | RE507927 |
| | MODEL REV | APVD | JG |
| | DRW RL | DRW REV | CD |
| | DESIGN_COMPL3.1 | TERM CODE | 2790-00 |
| SOURCING | OPEN | SCALE | 1:5 |
| | CLOSED | VERSION | CD40 |
| | | SHEET | 1/8 |

CUSTOMER INSTALLATION POINTS

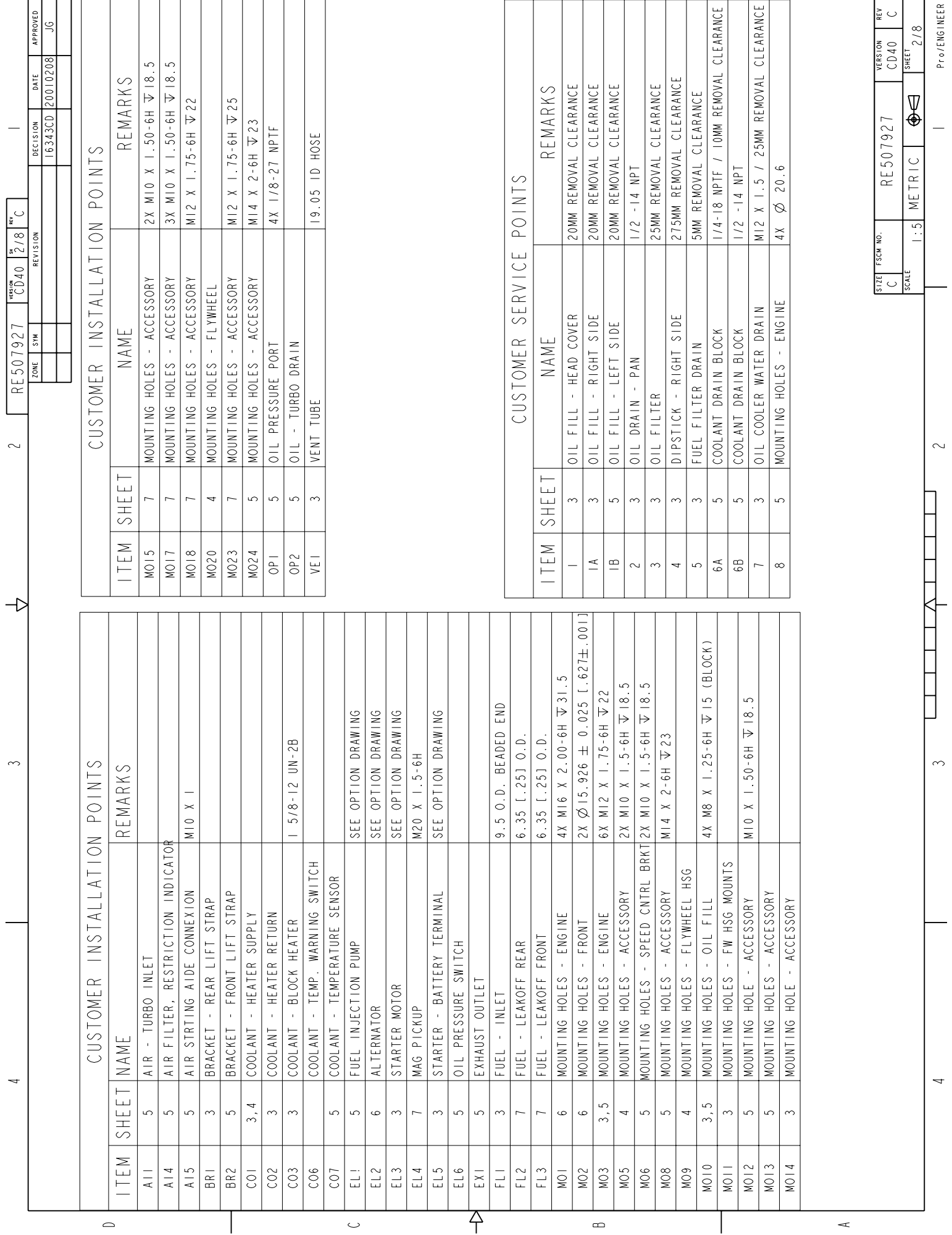
| ITEM | SHEET | NAME | REMARKS |
|------|-------|-----------------------------------|---|
| A11 | 5 | AIR - TURBO INLET | |
| A14 | 5 | AIR FILTER, RESTRICTION INDICATOR | |
| A15 | 5 | AIR STRTING AIDE CONNEXION | M10 X 1 |
| BR1 | 3 | BRACKET - REAR LIFT STRAP | |
| BR2 | 5 | BRACKET - FRONT LIFT STRAP | |
| C01 | 3,4 | COOLANT - HEATER SUPPLY | |
| C02 | 3 | COOLANT - HEATER RETURN | |
| C03 | 3 | COOLANT - BLOCK HEATER | 1 5/8-12 UN-2B |
| C06 | | COOLANT - TEMP. WARNING SWITCH | |
| C07 | 5 | COOLANT - TEMPERATURE SENSOR | |
| EL1 | 5 | FUEL INJECTION PUMP | SEE OPTION DRAWING |
| EL2 | 6 | ALTERNATOR | SEE OPTION DRAWING |
| EL3 | 3 | STARTER MOTOR | SEE OPTION DRAWING |
| EL4 | 7 | MAG PICKUP | M20 X 1.5-6H |
| EL5 | 3 | STARTER - BATTERY TERMINAL | SEE OPTION DRAWING |
| EL6 | 5 | OIL PRESSURE SWITCH | |
| EX1 | 5 | EXHAUST OUTLET | |
| FL1 | 3 | FUEL - INLET | 9.5 O.D. BEADED END |
| FL2 | 7 | FUEL - LEAKOFF REAR | 6.35 [.25] O.D. |
| FL3 | 7 | FUEL - LEAKOFF FRONT | 6.35 [.25] O.D. |
| M01 | 6 | MOUNTING HOLES - ENGINE | 4X M16 X 2.00-6H ∇ 31.5 |
| M02 | 6 | MOUNTING HOLES - FRONT | 2X \varnothing 15.926 \pm 0.025 [.627 \pm .001] |
| M03 | 3,5 | MOUNTING HOLES - ENGINE | 6X M12 X 1.75-6H ∇ 22 |
| M05 | 4 | MOUNTING HOLES - ACCESSORY | 2X M10 X 1.5-6H ∇ 18.5 |
| M06 | 5 | MOUNTING HOLES - SPEED CNTRL BRKT | 2X M10 X 1.5-6H ∇ 18.5 |
| M08 | 5 | MOUNTING HOLES - ACCESSORY | M14 X 2-6H ∇ 23 |
| M09 | 4 | MOUNTING HOLES - FLYWHEEL HSG | |
| M010 | 3,5 | MOUNTING HOLES - OIL FILL | 4X M8 X 1.25-6H ∇ 15 (BLOCK) |
| M011 | 3 | MOUNTING HOLES - FW HSG MOUNTS | |
| M012 | 5 | MOUNTING HOLE - ACCESSORY | M10 X 1.50-6H ∇ 18.5 |
| M013 | 5 | MOUNTING HOLES - ACCESSORY | |
| M014 | 3 | MOUNTING HOLE - ACCESSORY | |

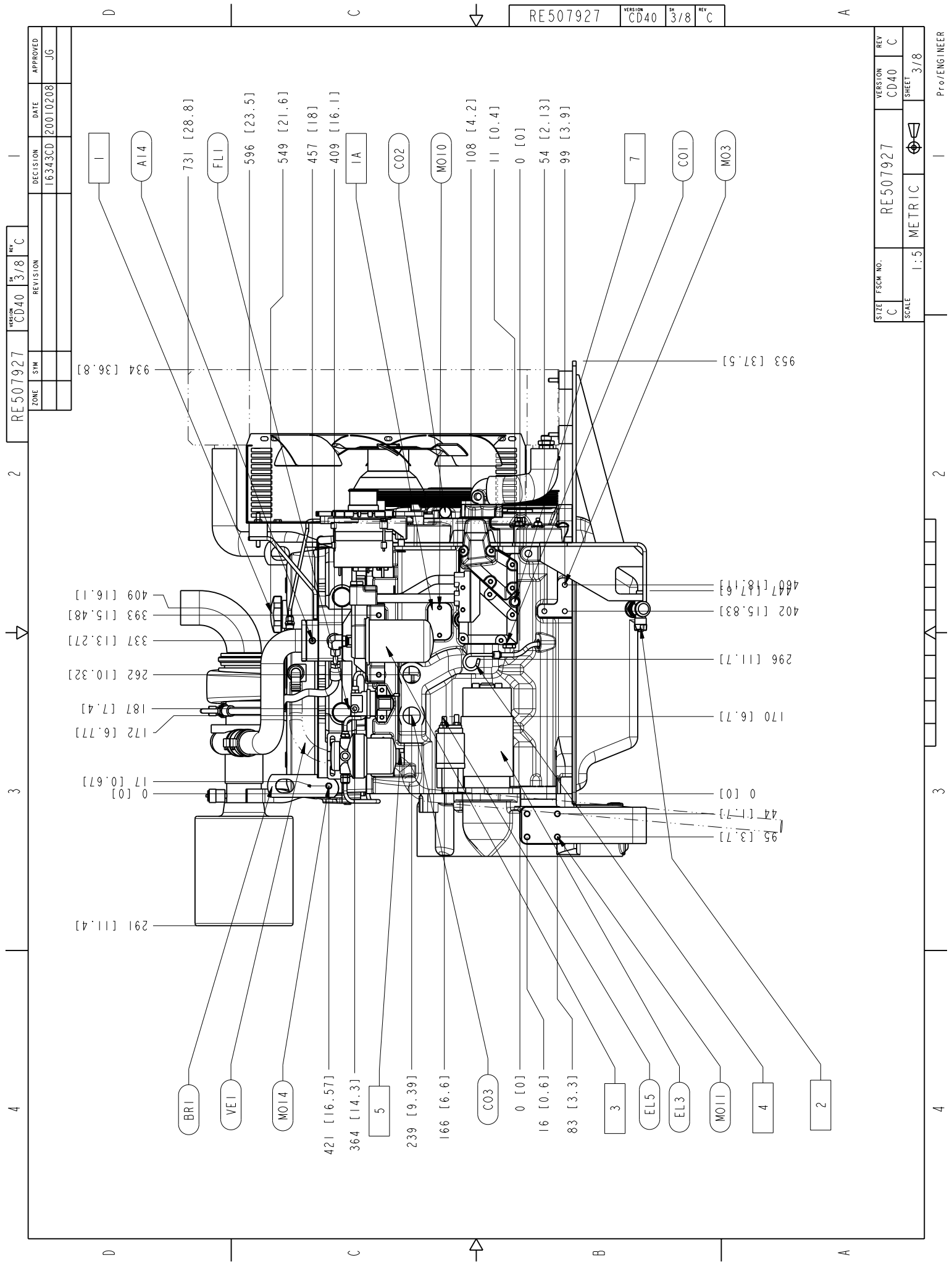
CUSTOMER INSTALLATION POINTS

| ITEM | SHEET | NAME | REMARKS |
|------|-------|----------------------------|--------------------------------|
| M015 | 7 | MOUNTING HOLES - ACCESSORY | 2X M10 X 1.50-6H ∇ 18.5 |
| M017 | 7 | MOUNTING HOLES - ACCESSORY | 3X M10 X 1.50-6H ∇ 18.5 |
| M018 | 7 | MOUNTING HOLES - ACCESSORY | M12 X 1.75-6H ∇ 22 |
| M020 | 4 | MOUNTING HOLES - FLYWHEEL | |
| M023 | 7 | MOUNTING HOLES - ACCESSORY | M12 X 1.75-6H ∇ 25 |
| M024 | 5 | MOUNTING HOLES - ACCESSORY | M14 X 2-6H ∇ 23 |
| OP1 | 5 | OIL PRESSURE PORT | 4X 1/8-27 NPTF |
| OP2 | 5 | OIL - TURBO DRAIN | |
| VE1 | 3 | VENT TUBE | 19.05 ID HOSE |

CUSTOMER SERVICE POINTS

| ITEM | SHEET | NAME | REMARKS |
|------|-------|-------------------------|--------------------------------------|
| 1 | 3 | OIL FILL - HEAD COVER | 20MM REMOVAL CLEARANCE |
| 1A | 3 | OIL FILL - RIGHT SIDE | 20MM REMOVAL CLEARANCE |
| 1B | 5 | OIL FILL - LEFT SIDE | 20MM REMOVAL CLEARANCE |
| 2 | 3 | OIL DRAIN - PAN | 1/2 -14 NPT |
| 3 | 3 | OIL FILTER | 25MM REMOVAL CLEARANCE |
| 4 | 3 | DIPSTICK - RIGHT SIDE | 275MM REMOVAL CLEARANCE |
| 5 | 3 | FUEL FILTER DRAIN | 5MM REMOVAL CLEARANCE |
| 6A | 5 | COOLANT DRAIN BLOCK | 1/4-18 NPTF / 10MM REMOVAL CLEARANCE |
| 6B | 5 | COOLANT DRAIN BLOCK | 1/2 -14 NPT |
| 7 | 3 | OIL COOLER WATER DRAIN | M12 X 1.5 / 25MM REMOVAL CLEARANCE |
| 8 | 5 | MOUNTING HOLES - ENGINE | 4X \varnothing 20.6 |





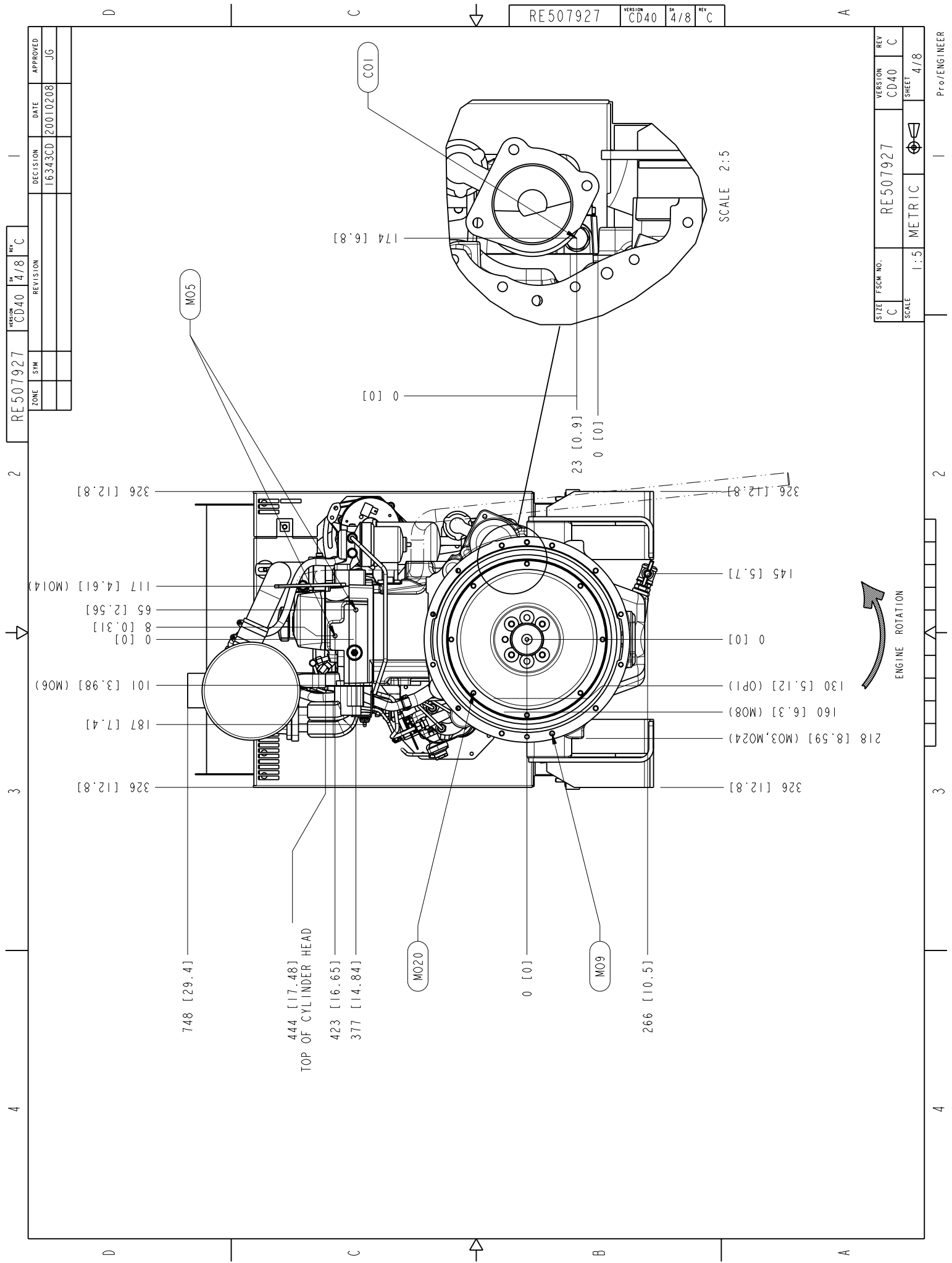
| | |
|----------|-----|
| REVISION | REV |
| CD40 | 3/8 |
| CD40 | C |

| | | | | |
|------|-----|----------|----------|----------|
| ZONE | SYM | DECISION | DATE | APPROVED |
| | | 16343CD | 20010208 | JG |

RE507927 VERSION CD40 SU 3/8 REV C

| | | | |
|-------|----------|---------|-----------|
| SIZE | FSCM NO. | VERSION | REV |
| C | | CD40 | C |
| SCALE | 1:5 | METRIC | SHEET 3/8 |

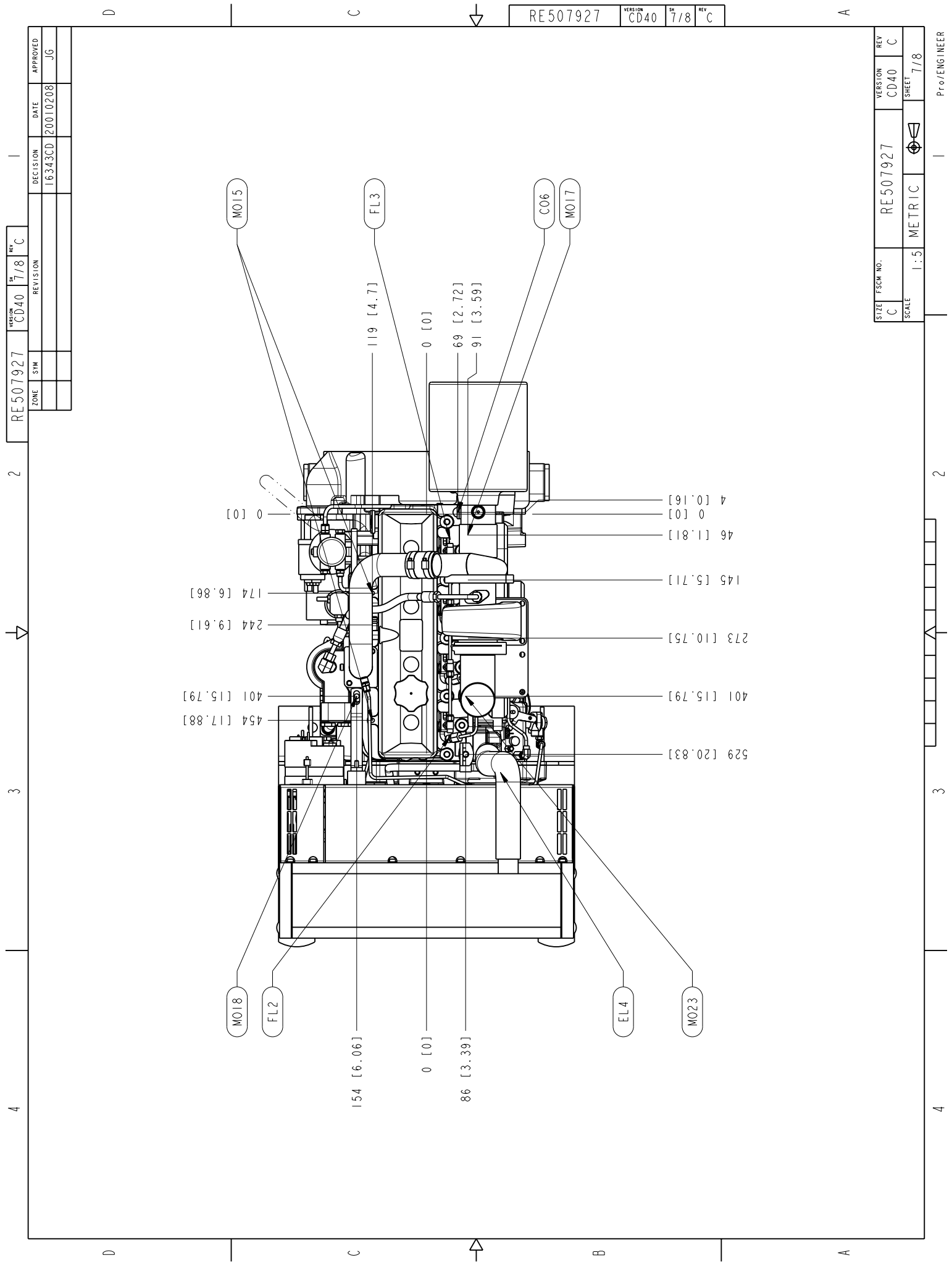
Pro/ENGINEER



| | | | | | | |
|----------|----------|---------|------|----------|----------|----|
| RE507927 | VERSION | CD40 | SH | 4/8 | REV | C |
| | ZONE | | | | | |
| | SYM | | | | | |
| | REVISION | | | | | |
| | DECISION | 16343CD | DATE | 20010208 | APPROVED | JG |

| | | | |
|-------|----------|---------|-----------|
| SIZE | FSCM NO. | VERSION | REV |
| C | | CD40 | C |
| SCALE | 1:5 | METRIC | SHEET 4/8 |

Pro/ENGINEER



| | | | | |
|------|-----|----------|----------|----------|
| ZONE | SYM | REVISION | DATE | APPROVED |
| | | 16343CD | 20010208 | JG |

| | | | |
|----------|------|-----|-------|
| RE507927 | CD40 | 7/8 | REV C |
|----------|------|-----|-------|

RE507927 VERSION CD40 SIZE 7/8 REV C

| | | | |
|-------|----------|---------|-----------|
| SIZE | FSCM NO. | VERSION | REV |
| C | | CD40 | C |
| SCALE | 1:5 | METRIC | SHEET 7/8 |

Pro/ENGINEER

RE507927

2

3

4

CD40

8/8

REV C

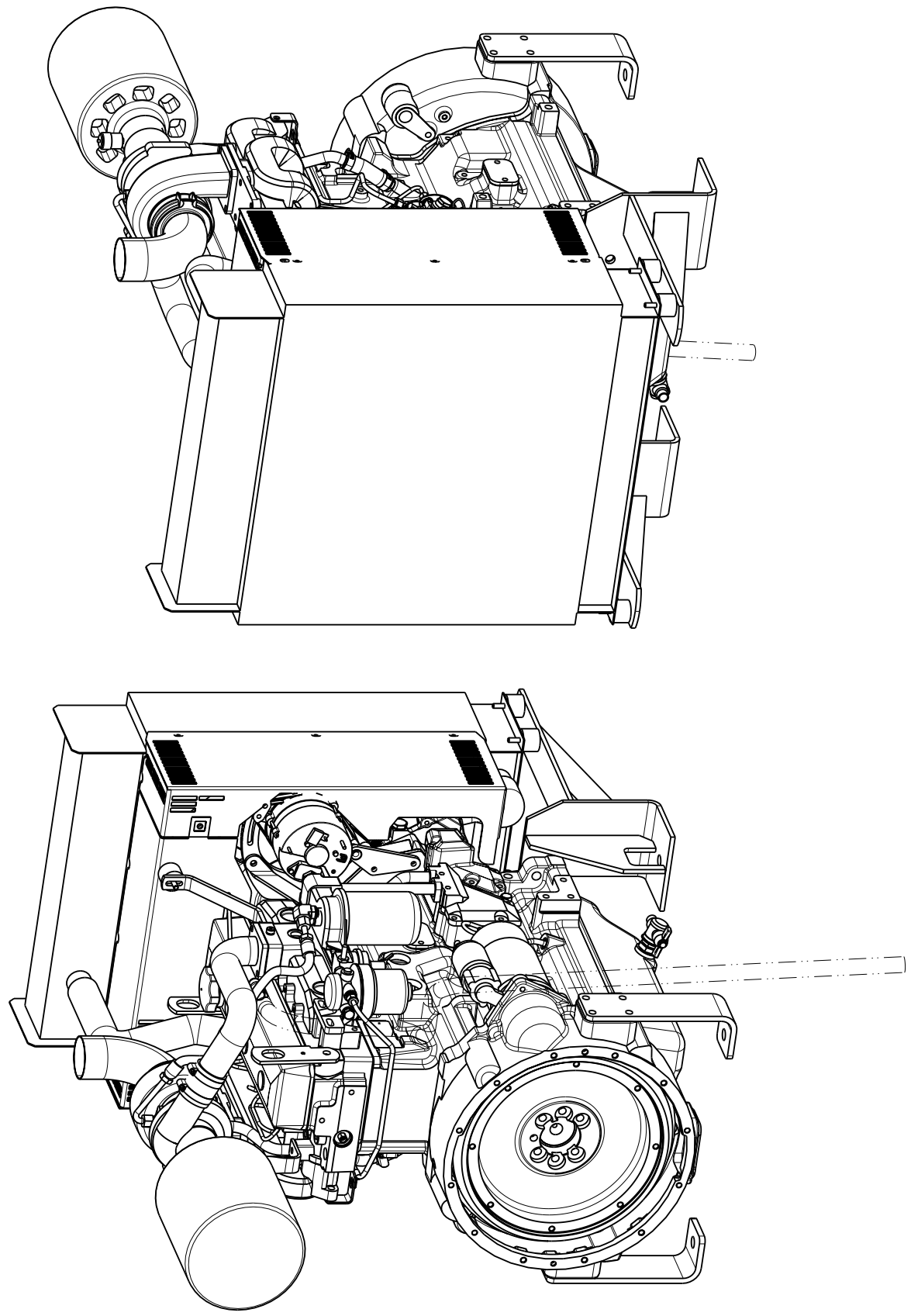
| ZONE | SYM | REVISION | DECISION | DATE | APPROVED |
|------|-----|----------|----------|----------|----------|
| | | | 16343CD | 20010208 | JG |

RE507927

VERSION CD40

SI 8/8

REV C



| SIZE | FSCM NO. | VERSION | REV |
|------|----------|---------|-----|
| C | | CD40 | C |

| SCALE | METRIC | SHEET | 8/8 |
|-------|--------|-------|-----|
| 1:5 | METRIC | | |

Pro/ENGINEER

2

3

4