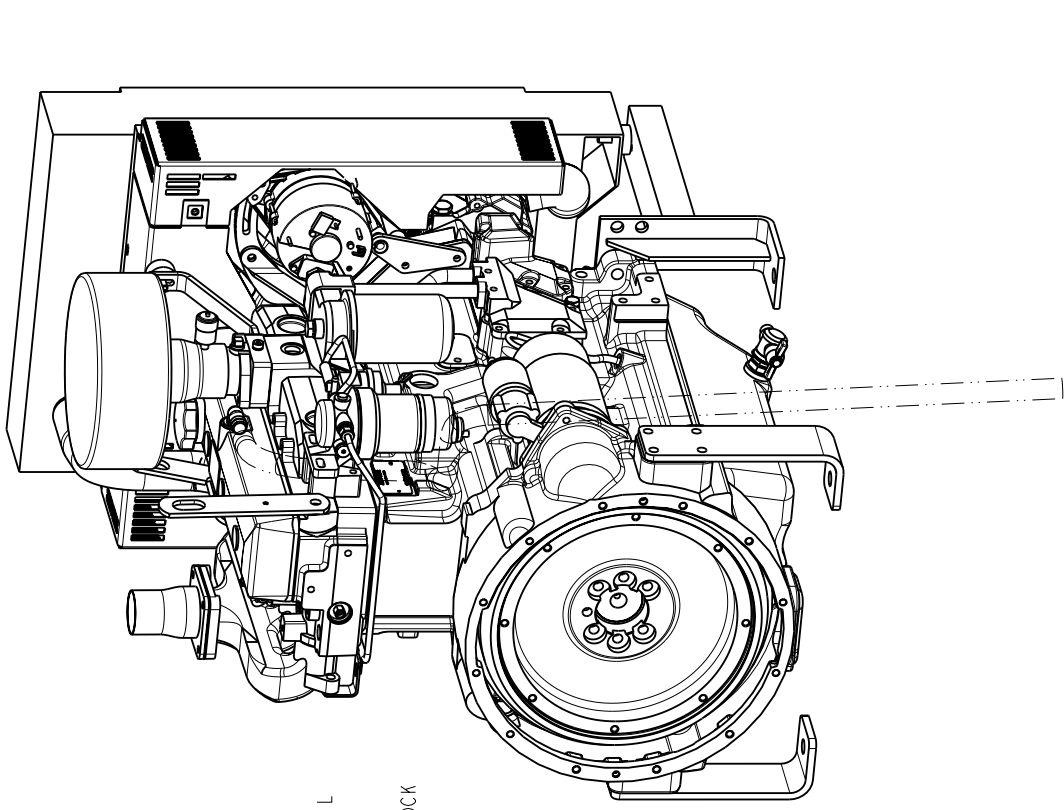


ZONE	SYM	REVISION	DATE	APPROVED
		16343CD	20010208	JG

VERSION	CD40	SH	1/8	REV	C
ZONE		SYM		REVISION	

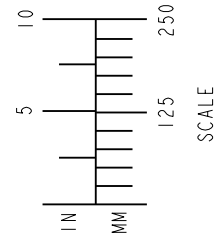
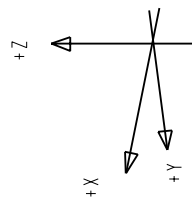


ESTIMATED VALUES	
CENTER OF GRAVITY	
X	7
Y	-270
Z	82
MASS kg	497

FAN HEIGHT mm/in	290.0	11.42
------------------	-------	-------

WATER VOLUME OF RADIATOR : 7.2 L

ORIGIN - CENTERLINE OF
CRANKSHAFT AT REAR FACE OF BLOCK



OPTIONS SHOWN	
OPTION	GROUP NAME
1101_RE57606	ROCKERARM COVER FRONT FILL
1299_RE57761	NO OIL FILL
1302_RE59693	CRANKSHAFT PULLEY - 168mm DIA
1433_RE504039	FLYWHEEL HOUSING (SAE #3)
1503_RE59281	FLYWHEEL, 11.5in OC CLUTCH
166B_RE502944	FUEL INJECTION PUMP - DB2
1762_RE507167	AIR INLET
1810_RE503693	CLEANER AIR
1949_RE502896	OIL PAN
2002_RE57779	WATER PUMP PULLEY 112mm DIA.
2109_RE70445	THERMOSTAT COVER
2312_RE70176	FAN DRIVE
2507_RE502902	FAN BLOWER
2715_RE507081	RADIATOR
2826_RE70700	EXHAUST MANIFOLD
2904B_RE69291	VENT TUBE W/ 90 DEG. ELBOW
3052_RE503997	STARTING MOTOR - 1SKRA 12V 3.1KW
3115_RE503611	ALTERNATOR - 12V, 55 AMP
3586_RE502779	FUEL FILTER
3601_RE57614	FRONT PLATE
3707_RE504521	FUEL TRANSFER PUMP
4017_RE500925	STANDARD RHS DIPSTICK
4701_RE53341	CRANKSHAFT
5702_RE59312	WATER PUMP INLET
5904_RE59795	OIL COOLER - 3 PLATE
6211_RE500840	ALTERNATOR MOUNTING
6410_RE503296	EXHAUST ELBOW
6609_RE503920	WATER TEMPERATURE SWITCH
6901_RE59440	SERIAL NUMBER PLATE
7503_RE58942	INDICATOR, RESTRICTION
7625_RE506952	OIL PRESSURE SWITCH
8605_RE60114	FAN PULLEY, 168 mm
8711_RE502305	MANUAL TENSIONER
8801_RE59753	OIL FILTER - HIGH VERTICAL
913G_RE507166	REAR BRACKET
9801C_RE53353	ENGINE HANGER STRAP

MATERIAL		THIS DRAWING AND THE INFORMATION HEREON ARE OUR PROPERTY AND MAY BE USED BY YOU ONLY AS AUTHORIZED BY US. UNPUBLISHED-ALL RIGHTS RESERVED UNDER THE COPYRIGHT LAWS OF THE U.S.A.	
SEE DETAILS	DRW	J GUERIN	20010209
	CHK		
	ENGR	P SOUBIRAN	
	CHK		
REFERENCES:	MODEL	RE507926-APPL	
	DESIGN CONTROL		
	APVD	JG	CD
	TERM CODE		2790-00
	DRW RL		
	DESIGN_COMPLI.		
	OPEN		
	CLOSED		
SOURCING			

ITEM	SHEET	NAME	REMARKS
A11	5	AIR - TURBO INLET	
A14	3	AIR HEATER STARTING AID CONNEXION	M10 X 1
A15	6	AIR FILTER RESTRICTION INDICATOR	
BR1	3	BRACKET - REAR LIFT STRAP	
BR2	5	BRACKET - FRONT LIFT STRAP	
C01	3,4	COOLANT - HEATER SUPPLY	
C02	3	COOLANT - HEATER RETURN	
C03	3	COOLANT - BLOCK HEATER	1 5/8-12 UN-2B
C06	7	COOLANT - TEMP. WARNING SWITCH	
C07	5	COOLANT - TEMPERATURE SENSOR	
EL1	5	FUEL INJECTION PUMP	SEE OPTION DRAWING
EL2	6	ALTERNATOR	SEE OPTION DRAWING
EL3	3	STARTER MOTOR	SEE OPTION DRAWING
EL4	7	MAG PICKUP	M20 X 1.5-6H
EL5	3	STARTER - BATTERY TERMINAL	SEE OPTION DRAWING
EL6	5	OIL PRESSURE SWITCH	
EX1	7	EXHAUST OUTLET	Ø 60.3 O.D
FL1	3	FUEL - INLET	9.5 O.D BEADED END
FL2	7	FUEL - LEAKOFF REAR	6.35 [.25] O.D
FL3	7	FUEL - LEAKOFF FRONT	6.35 [.25] O.D
M01	6	MOUNTING HOLES - ENGINE	4X M16 X 2.00-6H ▽31.5
M02	6	MOUNTING HOLES - FRONT	2X Ø15.926 ± 0.025 [.627±.001]
M03	3,5	MOUNTING HOLES - ENGINE	6X M12 X 1.75-6H ▽22
M05	4	MOUNTING HOLES - ACCESSORY	2X M10 X 1.5-6H ▽18.5
M06	5	MOUNTING HOLES - SPEED CNTRL BRKT	2X M10 X 1.5-6H ▽18.5
M08	5	MOUNTING HOLES - ACCESSORY	M14 X 2-6H ▽23
M09	4	MOUNTING HOLES - FLYWHEEL HSG	
M010	3,5	MOUNTING HOLES - OIL FILL	4X M8 X 1.25-6H ▽15 (BLOCK)
M011	3	MOUNTING HOLES - FW HSG MOUNTS	
M012	5	MOUNTING HOLE - ACCESSORY	M10 X 1.50-6H ▽18.5
M013	5	MOUNTING HOLES - ACCESSORY	
M014	3	MOUNTING HOLE - ACCESSORY	

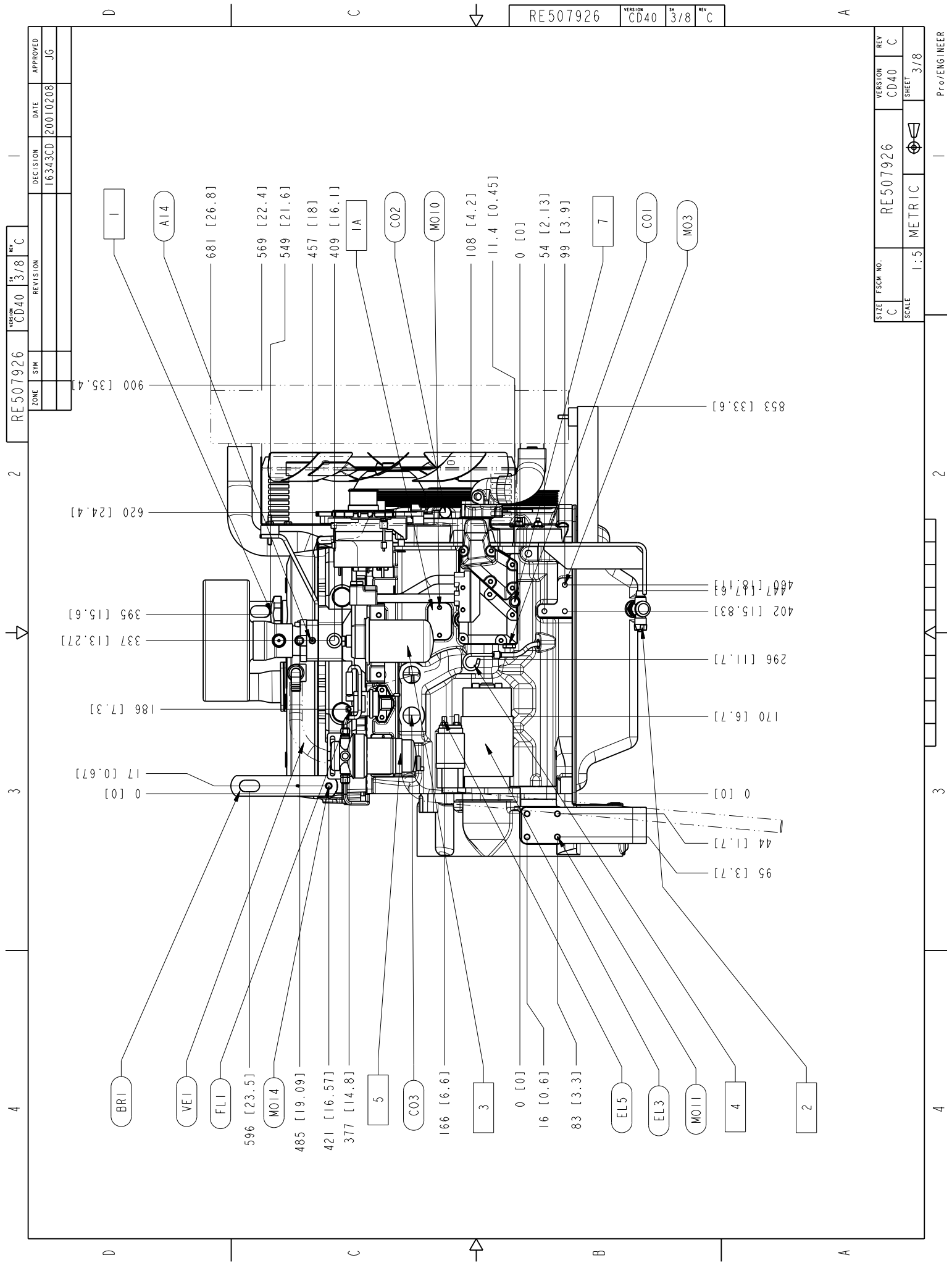
ITEM	SHEET	NAME	REMARKS
M015	7	MOUNTING HOLES - ACCESSORY	2X M10 X 1.50-6H ▽18.5
M017	7	MOUNTING HOLES - ACCESSORY	3X M10 X 1.50-6H ▽18.5
M018	7	MOUNTING HOLES - ACCESSORY	M12 X 1.75-6H ▽22
M020	4	MOUNTING HOLES - FLYWHEEL	
M023	7	MOUNTING HOLES - ACCESSORY	M12 X 1.75-6H ▽25
M024	5	MOUNTING HOLES - ACCESSORY	M14 X 2 - 6H ▽ 23
OP1	5	OIL PRESSURE PORT	4X 1/8-27 NPTF
VE1	3	VENT TUBE	19.05 ID HOSE

ITEM	SHEET	NAME	REMARKS
1	3	OIL FILL - HEAD COVER	20MM REMOVAL CLEARANCE
1A	3	OIL FILL - RIGHT SIDE	20MM REMOVAL CLEARANCE
1B	5	OIL FILL - LEFT SIDE	20MM REMOVAL CLEARANCE
2	3	OIL DRAIN - PAN	1/2 - 14 NPT
3	3	OIL FILTER	25MM REMOVAL CLEARANCE
4	3	DIPSTICK - RIGHT SIDE	275MM REMOVAL CLEARANCE
5	3	FUEL FILTER DRAIN	5MM REMOVAL CLEARANCE
6A	5	COOLANT DRAIN BLOCK	1/4 - 18 NPTF / 10 MM REMOVAL CLEARANCE
6B	5	COOLANT DRAIN RADIATOR	1/2 - 14 NPT
7	3	OIL COOLER WATER DRAIN	M12 X 1.5 / 25MM REMOVAL CLEARANCE
8	5	MOUNTING HOLES - ENGINE	4X Ø20.6

ITEM	SHEET	NAME	REMARKS
1	3	OIL FILL - HEAD COVER	20MM REMOVAL CLEARANCE
1A	3	OIL FILL - RIGHT SIDE	20MM REMOVAL CLEARANCE
1B	5	OIL FILL - LEFT SIDE	20MM REMOVAL CLEARANCE
2	3	OIL DRAIN - PAN	1/2 - 14 NPT
3	3	OIL FILTER	25MM REMOVAL CLEARANCE
4	3	DIPSTICK - RIGHT SIDE	275MM REMOVAL CLEARANCE
5	3	FUEL FILTER DRAIN	5MM REMOVAL CLEARANCE
6A	5	COOLANT DRAIN BLOCK	1/4 - 18 NPTF / 10 MM REMOVAL CLEARANCE
6B	5	COOLANT DRAIN RADIATOR	1/2 - 14 NPT
7	3	OIL COOLER WATER DRAIN	M12 X 1.5 / 25MM REMOVAL CLEARANCE
8	5	MOUNTING HOLES - ENGINE	4X Ø20.6

ITEM	SHEET	NAME	REMARKS
M015	7	MOUNTING HOLES - ACCESSORY	2X M10 X 1.50-6H ▽18.5
M017	7	MOUNTING HOLES - ACCESSORY	3X M10 X 1.50-6H ▽18.5
M018	7	MOUNTING HOLES - ACCESSORY	M12 X 1.75-6H ▽22
M020	4	MOUNTING HOLES - FLYWHEEL	
M023	7	MOUNTING HOLES - ACCESSORY	M12 X 1.75-6H ▽25
M024	5	MOUNTING HOLES - ACCESSORY	M14 X 2 - 6H ▽ 23
OP1	5	OIL PRESSURE PORT	4X 1/8-27 NPTF
VE1	3	VENT TUBE	19.05 ID HOSE

ITEM	SHEET	NAME	REMARKS
1	3	OIL FILL - HEAD COVER	20MM REMOVAL CLEARANCE
1A	3	OIL FILL - RIGHT SIDE	20MM REMOVAL CLEARANCE
1B	5	OIL FILL - LEFT SIDE	20MM REMOVAL CLEARANCE
2	3	OIL DRAIN - PAN	1/2 - 14 NPT
3	3	OIL FILTER	25MM REMOVAL CLEARANCE
4	3	DIPSTICK - RIGHT SIDE	275MM REMOVAL CLEARANCE
5	3	FUEL FILTER DRAIN	5MM REMOVAL CLEARANCE
6A	5	COOLANT DRAIN BLOCK	1/4 - 18 NPTF / 10 MM REMOVAL CLEARANCE
6B	5	COOLANT DRAIN RADIATOR	1/2 - 14 NPT
7	3	OIL COOLER WATER DRAIN	M12 X 1.5 / 25MM REMOVAL CLEARANCE
8	5	MOUNTING HOLES - ENGINE	4X Ø20.6

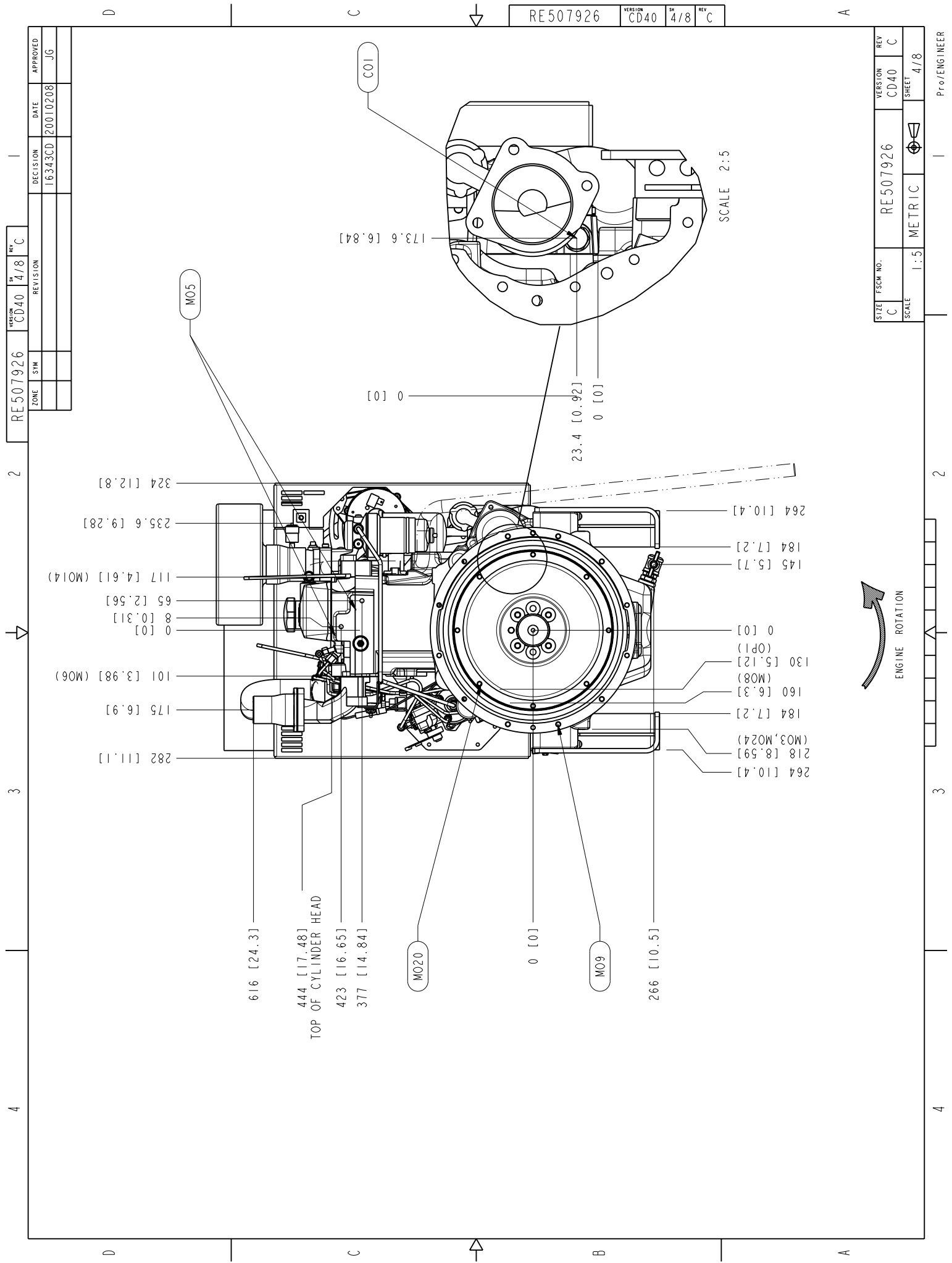


ZONE	SYM	VERSION	REV
		CD40	3/8
REVISION		C	
DECISION		DATE	APPROVED
16343CD		20010208	JG

RE507926 VERSION CD40 SIZE 3/8 REV C

SIZE	FSCM NO.	VERSION	REV
C		CD40	C
SCALE	1:5	METRIC	SHEET 3/8

Pro/ENGINEER



ZONE	SYM	REVISION	DATE	APPROVED
			20010208	JG

VERSION	CD40	REV	C
SIZE	4/8	SHEET	4/8

DECISION	16343CD
----------	---------

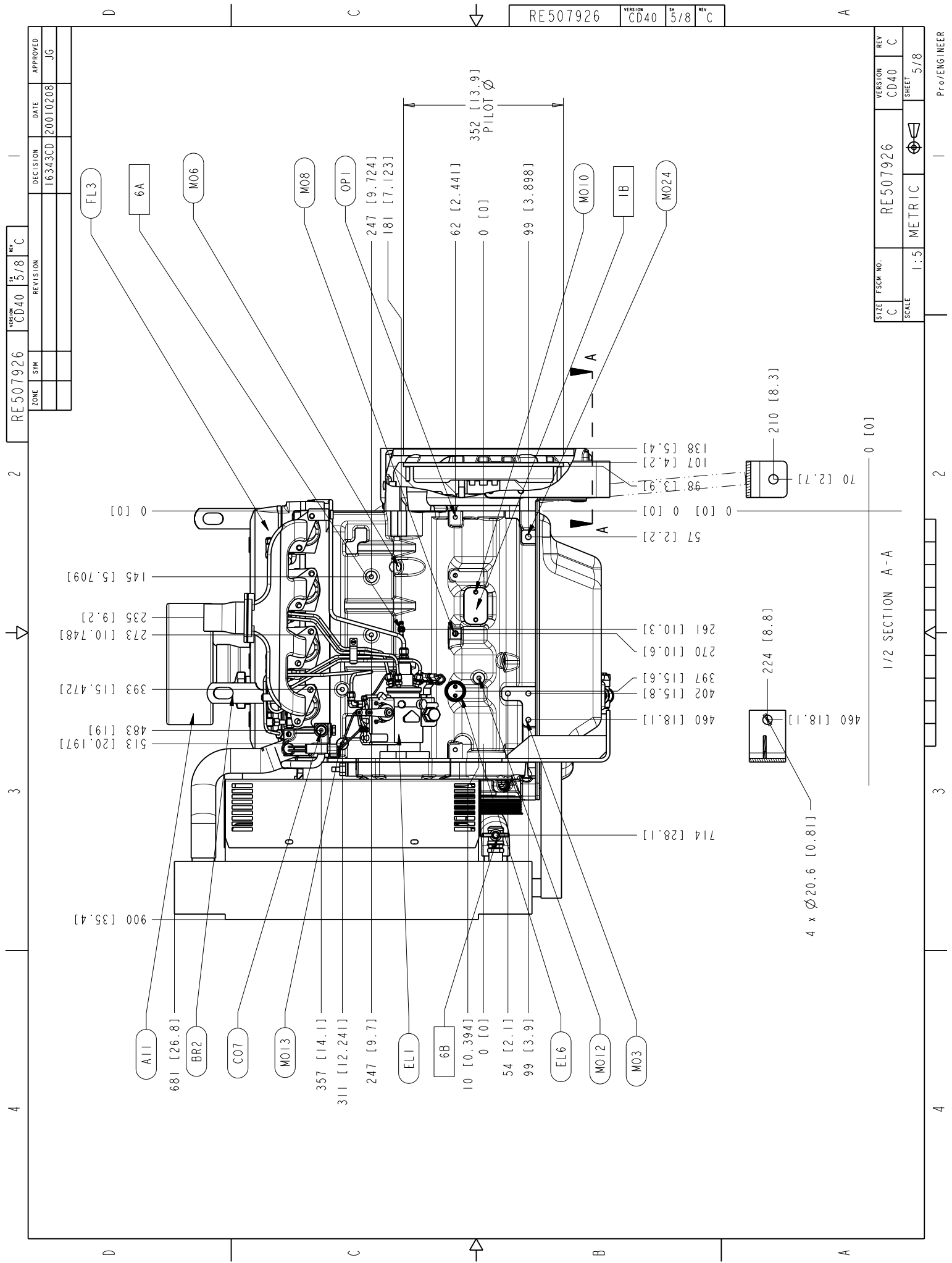
RE507926 VERSION CD40 SH 4/8 REV C

SIZE	FSCM NO.	VERSION	REV
C		CD40	C
SCALE	1:5	METRIC	SHEET 4/8

Pro/ENGINEER

4	3	2	1
D	C	B	A

4	3	2	1
D	C	B	A



ZONE	SYM	REVISION	DATE	APPROVED
		16343CD	20010208	JG

VERSION	CD40	REV	C
SIZE	5/8		

VERSION	CD40	REV	C
SIZE	5/8		

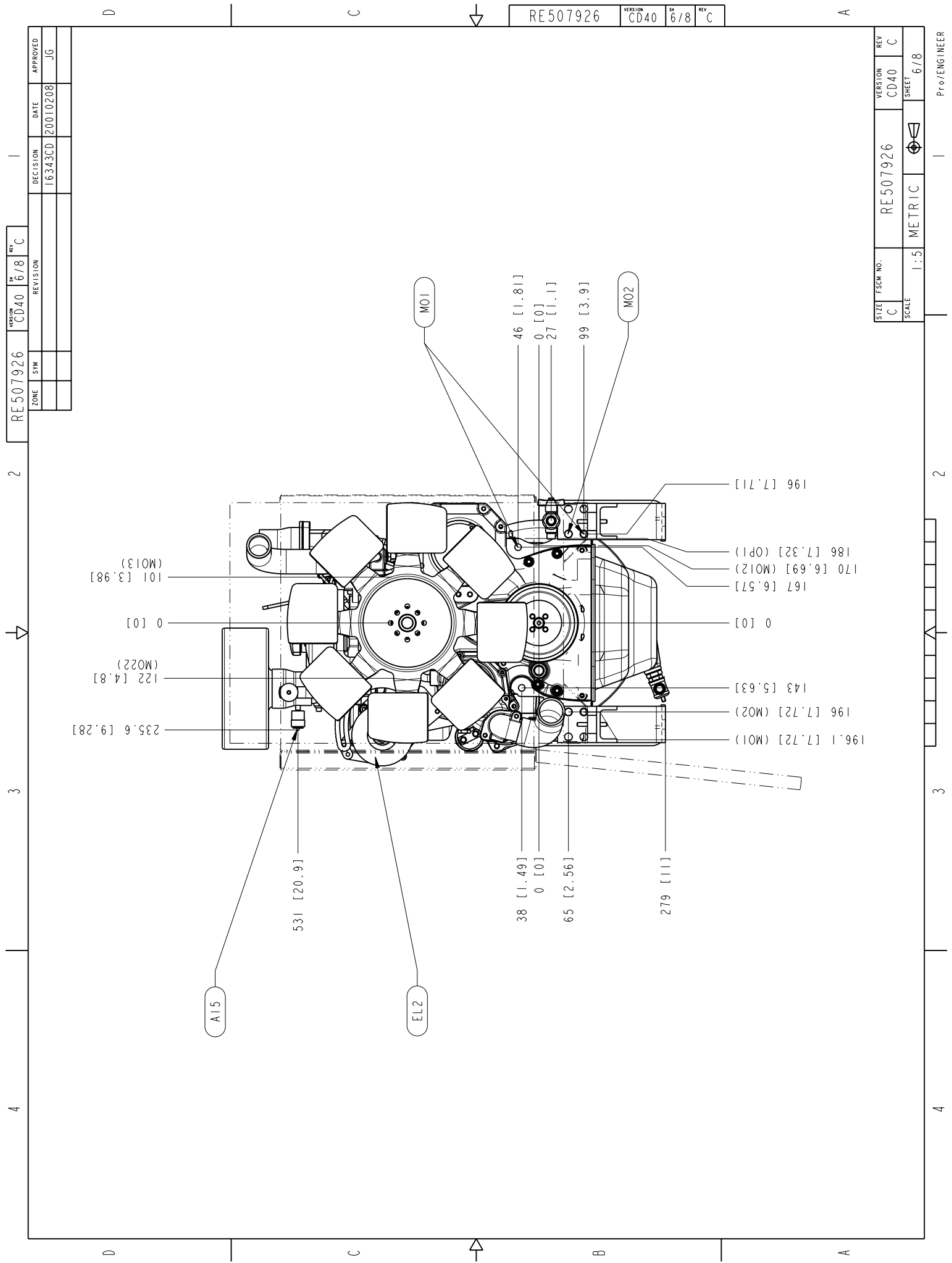
RE507926 VERSION CD40 SIZE 5/8 REV C

SIZE	FSCM NO.	REV	VERSION	REV
C	RE507926	C	CD40	C
SCALE	1:5	METRIC	SHEET	5/8

SECTION	1	2	3	4
SECTION	1	2	3	4

1/2 SECTION A-A

Pro/ENGINEER



RE507926 VERSION CD40 SH 6/8 REV C

ZONE	SYM	REVISION	DECISION	DATE	APPROVED
			16343CD	20010208	JG

VERSION	CD40	SH	6/8	REV	C
ZONE		SYM		REVISION	

SIZE	FSCM NO.	VERSION	REV
C		CD40	C
SCALE	1:5	METRIC	SHEET 6/8

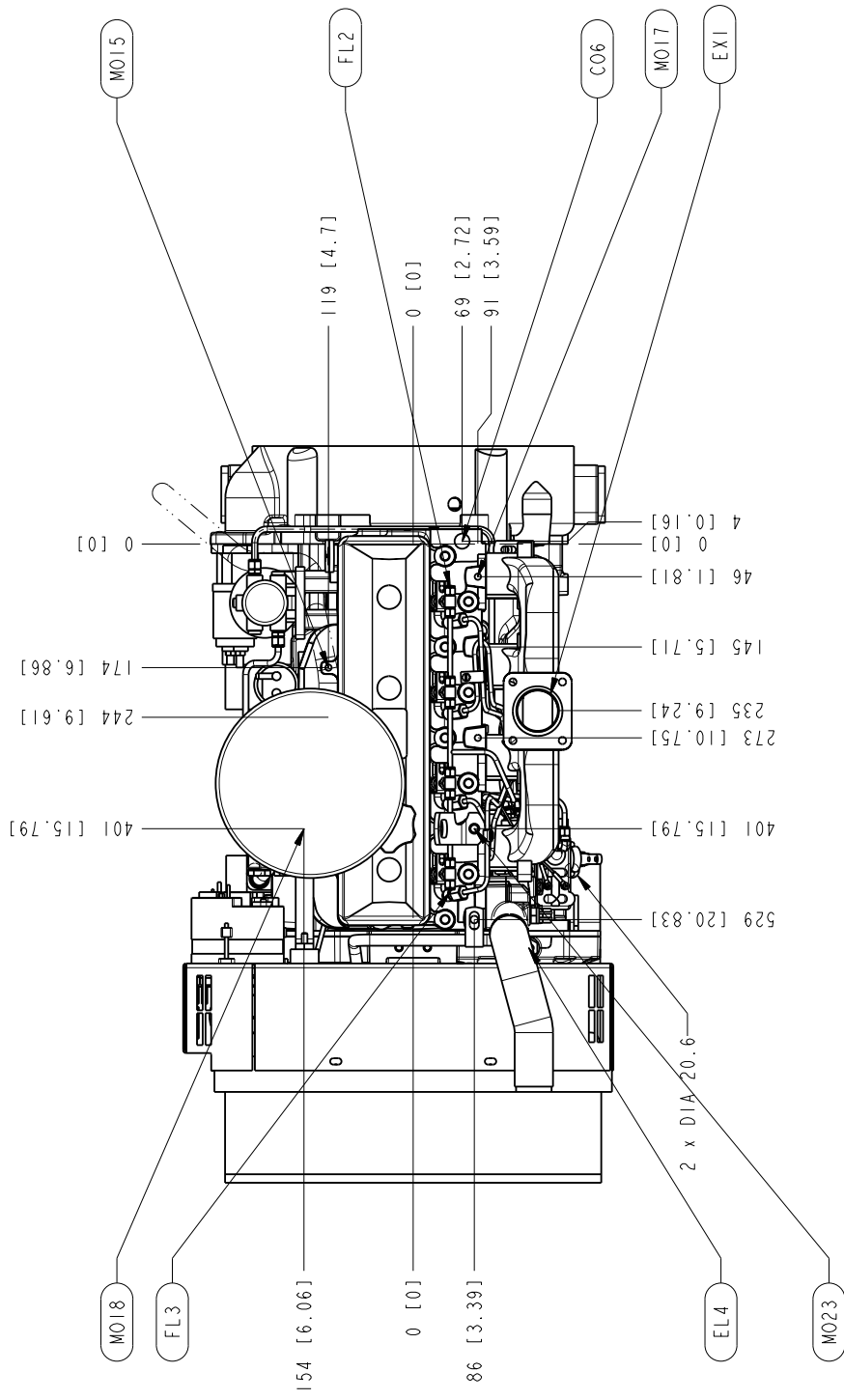
Pro/ENGINEER

ZONE	SYM	REVISION	DATE	APPROVED
RE507926		CD40 7/8 C	16343CD 20010208	JG

RE507926 VERSION CD40 SIZE 7/8 REV C

ZONE	SYM	REVISION	DATE	APPROVED
RE507926		CD40 7/8 C	16343CD 20010208	JG

SIZE	FSCM NO.	VERSION	REV
C		CD40	C
SCALE	1:5	METRIC	SHEET 7/8



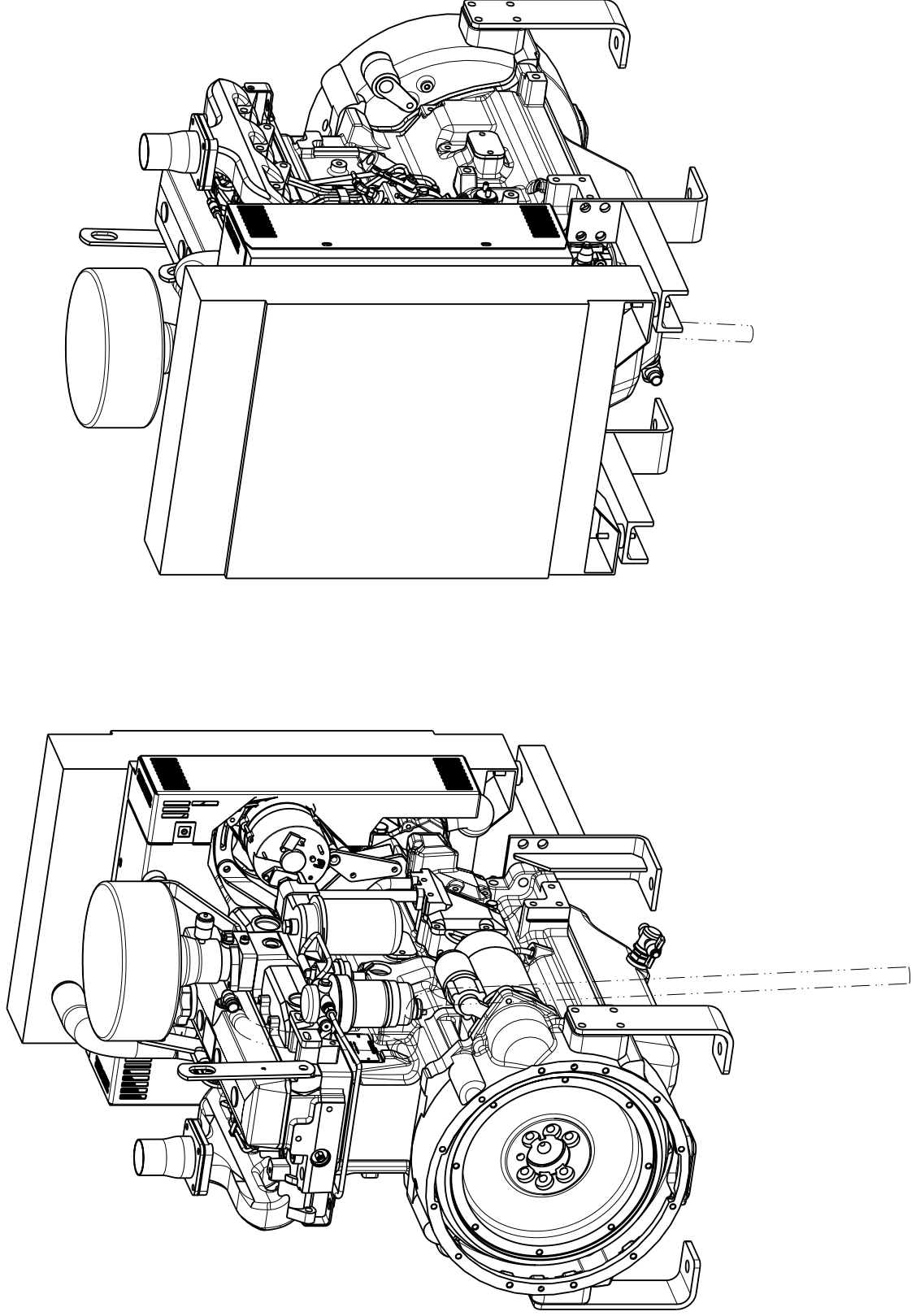
ZONE	SYM	REVISION	DATE	APPROVED
RE507926		CD40 7/8 C	16343CD 20010208	JG

SIZE	FSCM NO.	VERSION	REV
C		CD40	C
SCALE	1:5	METRIC	SHEET 7/8

Pro/ENGINEER

ZONE	SYM	VERSION	DECISION	DATE	APPROVED
		CD40	16343CD	20010208	JG
		8/8			
		REV C			

4	3	2	1
---	---	---	---



SIZE	FSCM NO.	VERSION	REV
C		CD40	C
SCALE	1:5	METRIC	SHEET 8/8

4	3	2	1
---	---	---	---

Pro/ENGINEER