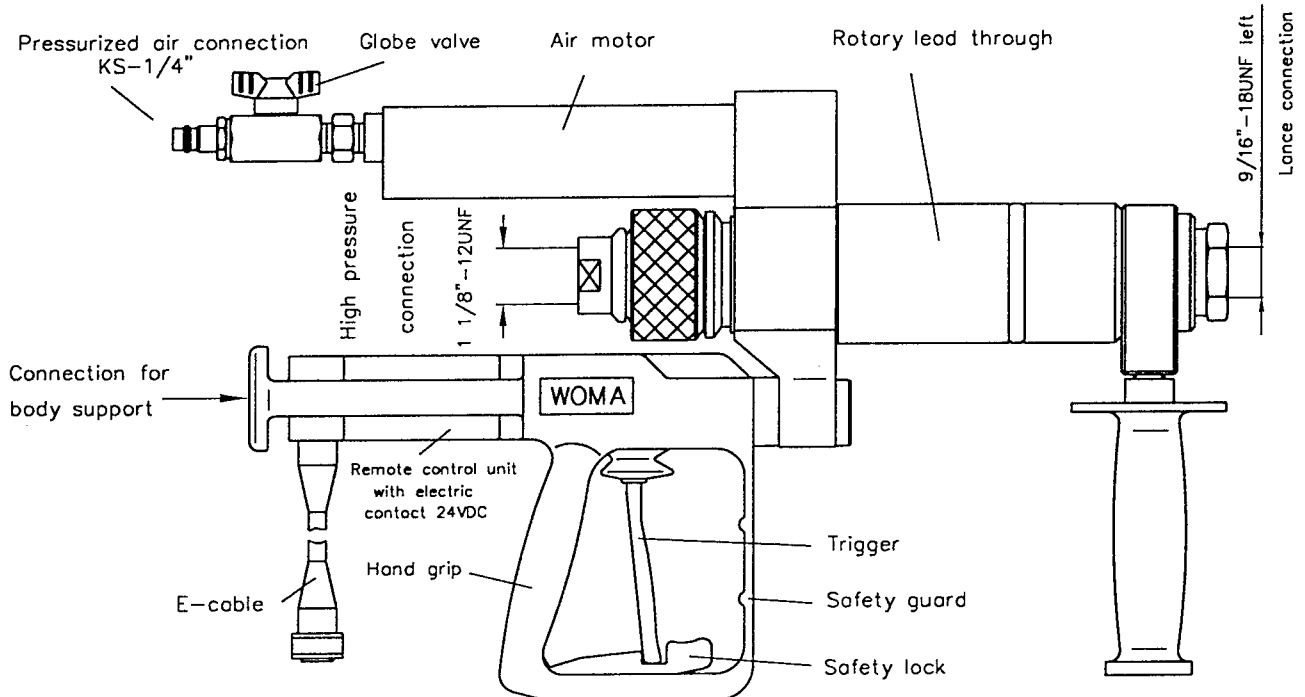


WOMA®

ECO Top Drill

HP ETD 2500-2-E-24V



Description:

In connection with a lance tube and a nozzle the HP ETD 2500-E-24V is a rotating water tool suitable for a combined mechanical and hydrodynamic internal cleaning of pipes.

The micro switch allows an operator to remotely control additional valves and to trigger complex control systems, which makes operation safer and more comfortable. Protective system: IP 67

Standard equipment includes; A trigger safety guard and latching trigger lock to prevent unintentional use, stainless steel pressure housing and light weight polymerized hand grip.

Advantages:

- High surface treatment/cleaning rate by rotating nozzle carrier
- Rotational speed adjustable by air pressure and -quantity
- High safety standard
- Fully encapsulated polymerized hand grip offers high tensile strength and excellent resistant to most chemicals
- All functional parts are protected from dirt and water invasion
- Special air motor with stainless steel housing

Technical data:

Part-No.	:	001.1299
Operating pressure	: max.	2500 bar
Medium temperature	: max.	+ 100°C
Recoil force perm. <u>without body support</u>	: max.	150 N
Recoil force perm. <u>with body support</u>	: max.	250 N
Air consumption	:	522 l/min at 6 bar
Air pressure perm.	: max.	7 bar
Nominal performance	:	0,38 kW
Operating rpm	: appr.	185 1/min
Weight	: appr.	6,0 kg
Length	: appr.	530 mm
Height	: appr.	330 mm
Width	: appr.	80 mm

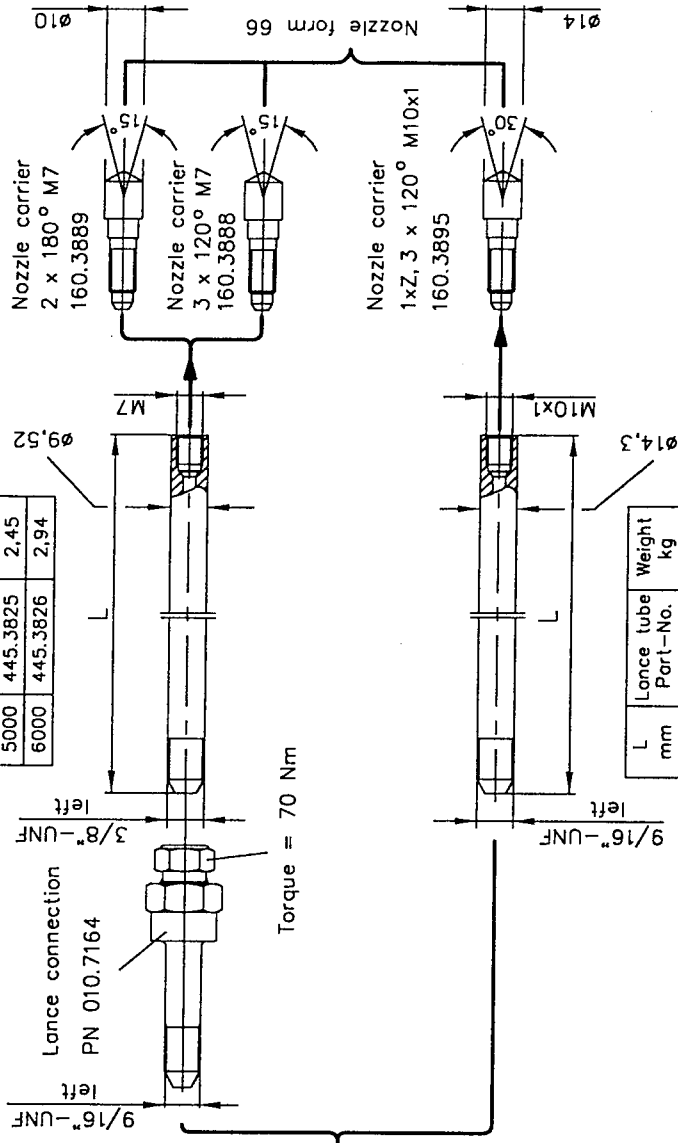
Operating information:

The air motor is only to be used with dry, clean and lubricated air.

We recommend WOMA pressurized air maintenance unit PN 010.8955.



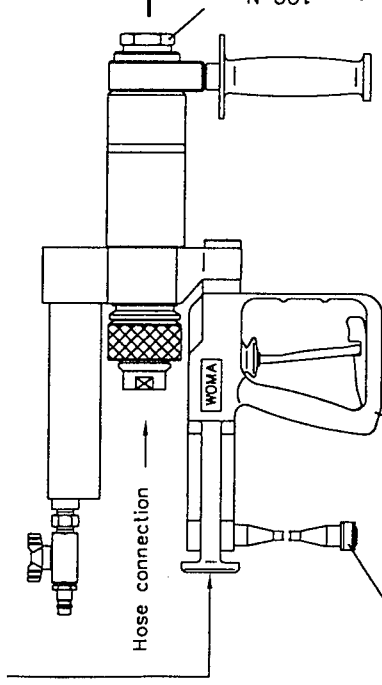
ECO Top Drill Components



L	Lance tube Part-No.	Weight kg
mm		
1000	445.3821	0,49
2000	445.3822	0,98
3000	445.3823	1,47
4000	445.3824	1,96
5000	445.3825	2,45
6000	445.3826	2,94

L	Lance tube Part-No.	Weight kg
mm		
1000	445.3814	1,1
2000	445.3815	2,2
3000	445.3816	3,3
4000	445.3817	4,4
5000	445.3818	5,5
6000	445.3819	6,6

Connection for body support PN 010.3658
Weight: appr. 0,73 kg



E-cable 300mm long
Electric connection 24VDC

HP ETD 2500-2-E-24V
Part-No. 001.1299
Weight: appr. 6,0 kg

Part-No.	Hose connection
for hose DN 5	
320.2720	
for hose DN 8	
010.8172	