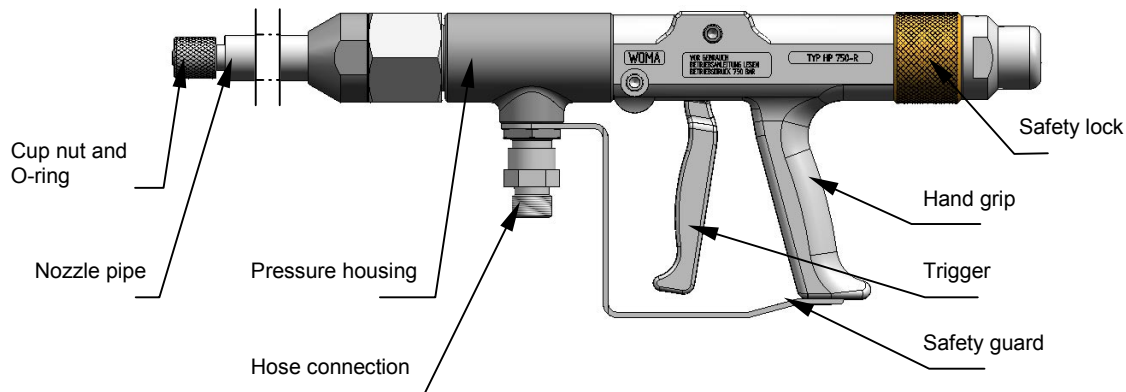


High Pressure Gun

HP 750-R



Description:

The HP 750-R is a heavy duty high pressure gun designed for a max. operating pressure of 750 bar.

The high pressure gun can be used in a variety of jetting applications, which require heavy duty lances to perform the cleaning task.

Standard equipment includes: Safety guard, rotary trigger lock, hose connection, nozzle pipe and nozzle cap nut, as well as stainless steel pressure housing and light metal hand grip.

Advantages:

High safety standard.

Safety guard and reliable safety lock.

Quick change nozzle system.

Cement rotary kiln lances available in lengths up to 15 m.

Technical data:

Part-No.:		001.1628
Operating pressure:	max.	750 bar
Medium temperature:	max.	+ 50°C
Recoil force perm. Without body support:	max.	150 N
Recoil force perm. With body support:	max.	250 N
Weight:	appr.	6,2 kg
Overall length:	appr.	860 mm
Overall height:	appr.	175 mm
Overall width:	appr.	60 mm
Length of nozzle pipe:		500 mm
Hose connection:		M22x1,5 – 60° DK
Recommended nozzle:		Form 4 und 19



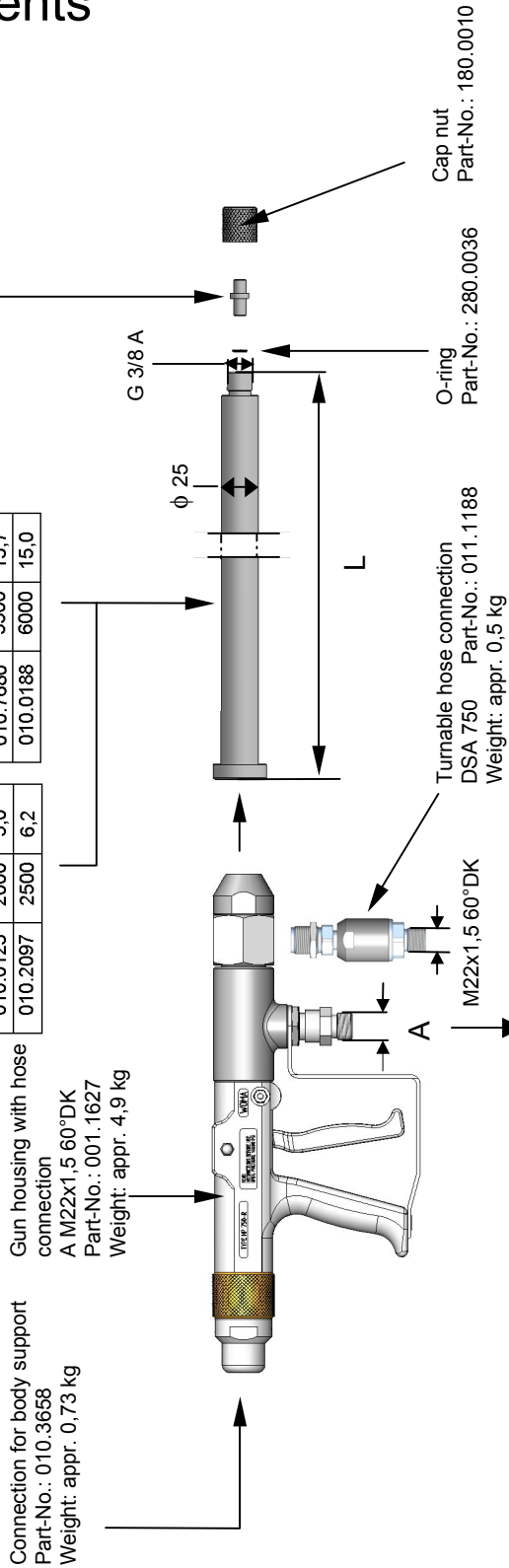
Wasser als Werkzeug für eine saubere Umwelt

HP 750-R – Components

Nozzle selection	
Form 4	Form 19
Nozzle sheet	
D-004-1500-1	D-019-1500-1

Nozzle pipe for nominal length L		Weight
Part-No.	L (mm)	kg
010.0124	3000	7,5
010.2098	3500	8,7
010.7646	3700	9,4
010.0186	4000	10,0
010.4904	4500	11,2
010.0187	5000	12,5
010.7680	5500	13,7
010.0188	6000	15,0

Nozzle pipe for nominal length L		Weight
Part-No.	L (mm)	kg
010.0120	200	0,6
010.0119	500	1,3
010.5228	750	1,9
010.0121	1000	2,6
010.6412	1250	3,2
010.0122	1500	3,8
010.0123	2000	5,0
010.2097	2500	6,2



Accessories	
Hose connection	
Part-No.	A
180.0220	M18x1,5 60°DK
180.0962	M24x1,5 24°DK
180.0253	G 1/2 60°DK

