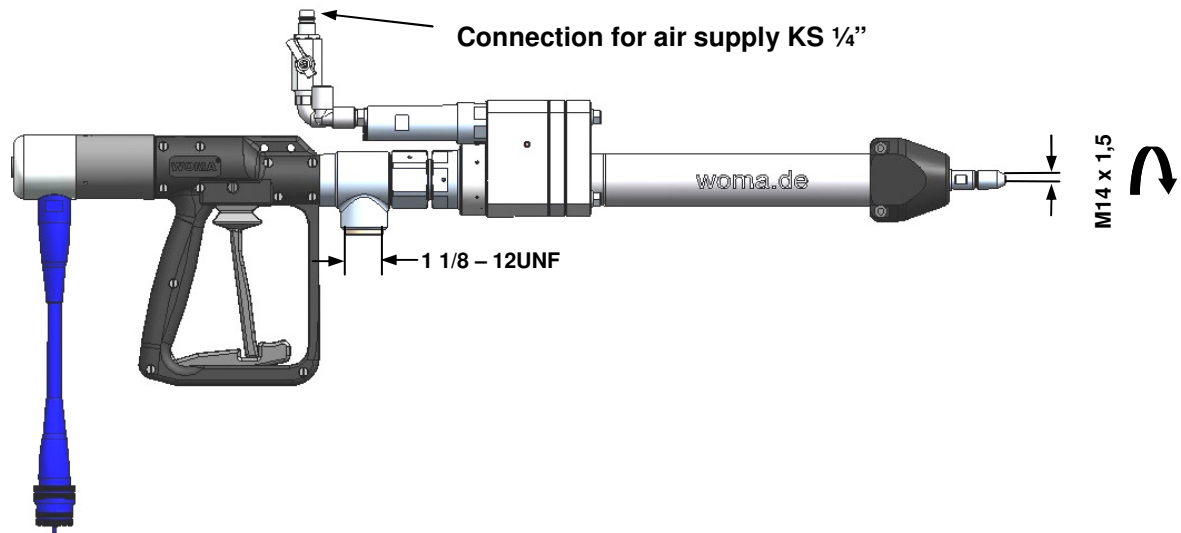


# High Pressure Gun

## HP3000RL-E-EXI



### Description:

The HP3000RL-E-EXI is a high-pressure jetting gun equipped with a pneumatically driven rotary lead-through and an electric remote control, suitable for a wide range of application.

The composition of HP-Gun and nozzle carrier head represents a highly efficient water tool, which guarantees – depending on the rotation of the nozzle carrier head – a high surface treatment/cleaning rate.

The equipment includes a safety lock, as well as a hand grip made of plastic and a pressure housing made of forged steel.

### Special characteristics:

- Rotational speed adjustable by air pressure and quantity
- Low weight
- Compact design with small dimensions
- Optimum running qualities
- Parts under pressure made of high-tensile stainless steel
- Turnable hand grip for easy handling
- All moving parts are protected from dirt and water invasion

### Technical Data:

|   |                                       |
|---|---------------------------------------|
| Part-No.:   | 001.1773                              |
| Operating pressure:                                   | max. 1500 bar                         |
| Flow rate:  | max. 25 l/min                         |
| Medium temperature:                                   | max. +50 °C                           |
| Weight:   | approx. 5,50 kg                       |
| Working pressure of the air motor:                    | 6,5 bar                               |
| Working pressure at working rpm:                      | 0,16 kW<br>2500 1/min                 |
| Air consumption:                                      | 0,4 m <sup>3</sup> /min<br>at 6,5 bar |
| Sense of rotation:                                    | Clockwise in jet direction            |
| Length:   | approx. 800 mm                        |
| Width:  | approx. 56 mm                         |
| Height:   | approx. 200 mm                        |
| Permissible recoil force <b>without</b> body support: | max. 150 N                            |
| Permissible recoil force <b>with</b> body support:    | max. 250 N                            |

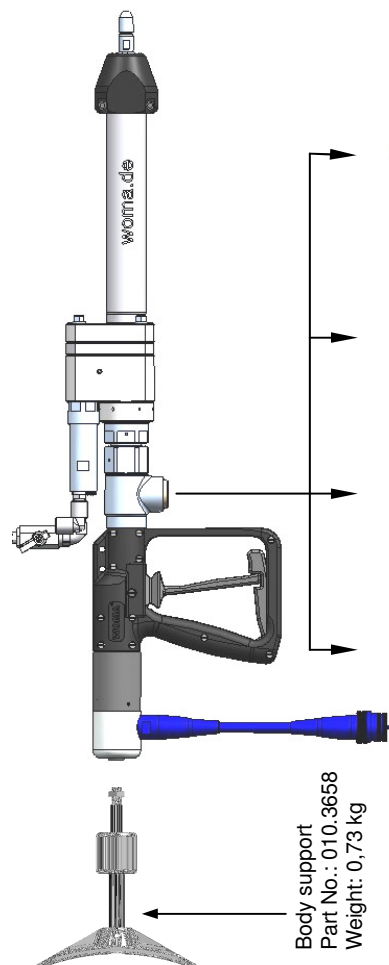


Wasser als Werkzeug für eine saubere Umwelt

# High-Pressure Gun HP3000RL-E-EXI - Components



| Nozzle carrier head |                              |           | Weight |
|---------------------|------------------------------|-----------|--------|
| Part-No.:           | Number of nozzles form 21 LL | Type-bar  | kg     |
| 341.0585            | 2                            | E 02-3000 | 0,45   |
| 341.0586            | 3                            | E 03-3000 | 0,45   |
| 341.0583            | 3 or 6                       | E 05-2500 | 0,47   |
| 341.0584            | 3 or 6                       | E 09-3000 | 0,85   |
| 341.0305            | 3 or 6                       | E 24-3000 | 0,85   |



- Turnable hose connection for DN8  
Part No.: 011.1652  
Weight: 0,9 kg
- Turnable hose connection for DN5  
Part No.: 011.1651  
Weight: 0,9 kg
- Hose connection for DN8  
Part No.: 010.8172  
Weight: 0,2 kg
- Hose connection for DN5  
Part No.: 320.2720  
Weight: 0,2 kg

Body support  
Part No.: 010.3658  
Weight: 0,73 kg

**Operating information:**

The air motor is only to be used with dry, clean and lubricated air.  
Only fill up with pneumatic oil  
WOMA PN 400.0342  
– viscosity class ISO VG 46 –.  
The max. permitted air pressure of 6,5 bar has not to be exceeded.

