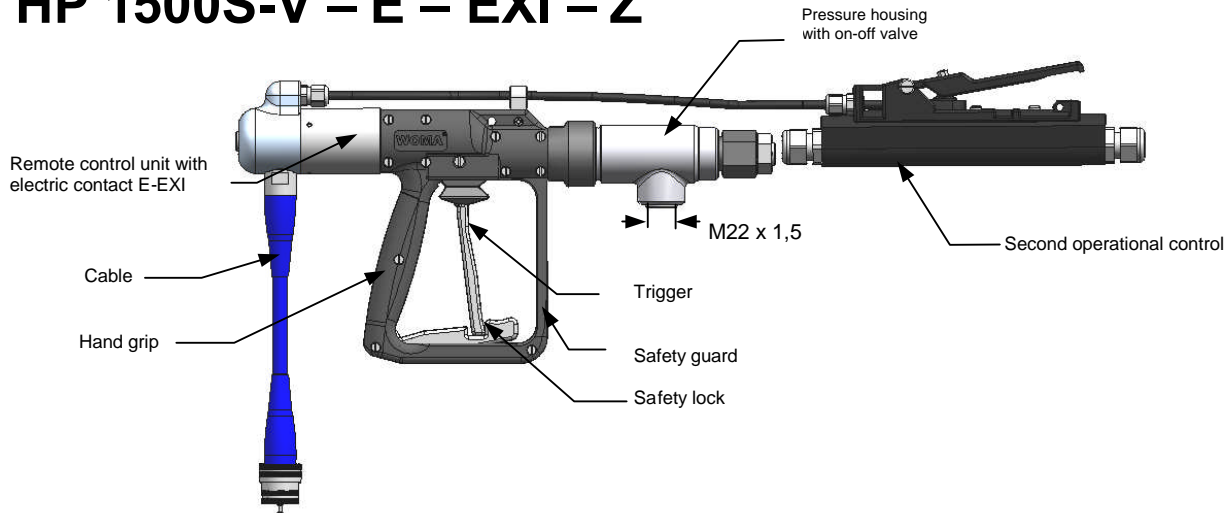




High Pressure Gun

HP 1500S-V – E – EXI – Z



Description:

The HP 1500S-V - E-EXI-Z is a positive shutoff type high pressure jetting gun with two hand operation, which incorporates an internal on/off valve and low voltage micro switch into its design.

The second operational control increases safety standard.

Via the electric contacts, the high pressure operation of the unit can be switched on or off. This facilitates work and increases worker safety.

Standard equipment includes; a trigger safety guard and latching trigger lock to prevent unintentional use, forged steel pressure housing and light weight polymerized hand grip.

Special Advantages:

- High safety standard.
- Two hand operation..
- Turnable hand grip for easy operation.
- Fully encapsulated polymerized hand grip offers high tensile strength and excellent resistant to most chemicals.
- All functional parts are protected from dirt and water invasion.

Technical Data:

Part-No.:	001.1694
Operating pressure:	max. 1500 bar
Medium temperature:	max. 100 °C
Recoil force perm. without body support:	max. 150 N
Recoil force perm. with body support:	max. 250 N
Weight:	appr. 3 kg
Length (second operational control incl.):	ü. a. 700 mm
Height:	ü. a. 200 mm
Width:	ü. a. 50 mm



Wasser als Werkzeug für eine saubere Umwelt

HP 1500S-V – E – EXI – Z - Components

Nozzle connection	
Part-No.	for nozzle form
010.7275	1 and 8
010.8086	4 and 19
180.1702	21

Nozzle connection for nozzle Form 4 for coherent jet forming
Part-No.: 010.9331

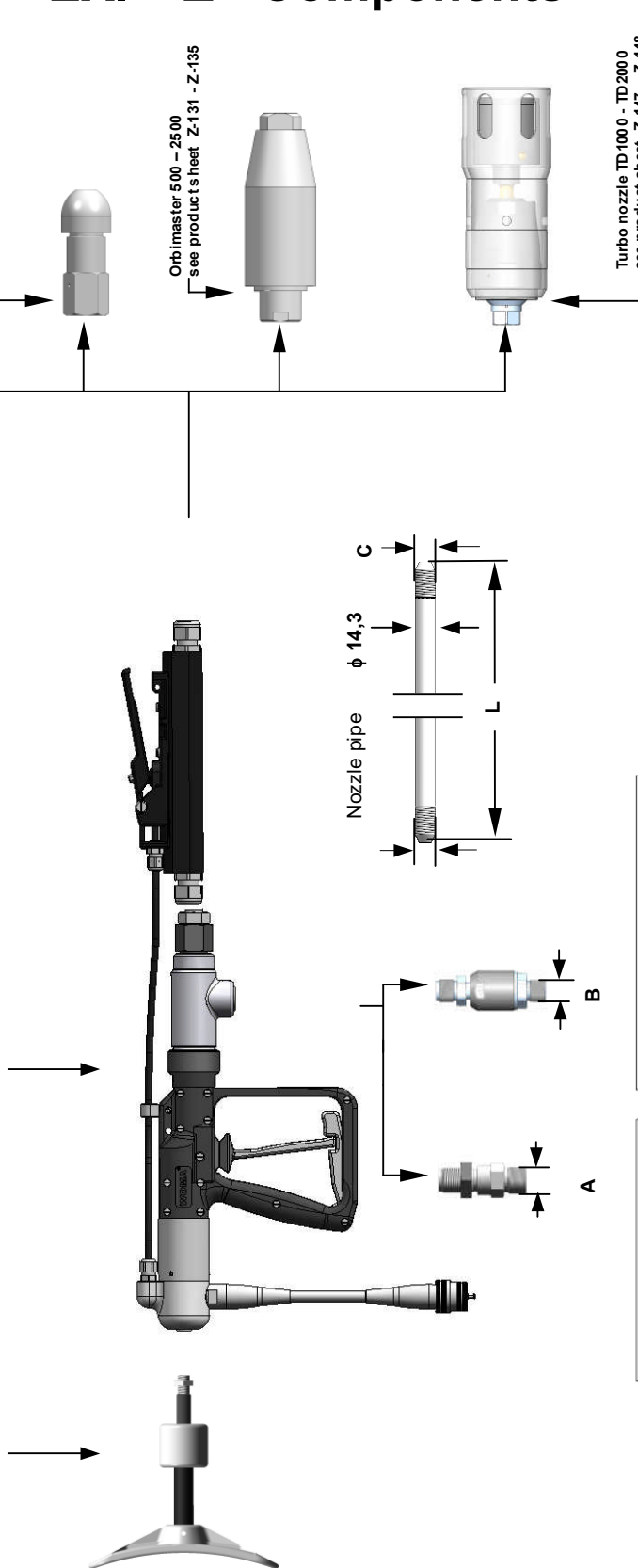
Orbitmaster 500 – 2500
see product's sheet Z-131 - Z-135

Turbo nozzle TD100.0 - TD200.0
see product sheet Z-147 - Z-148

Nozzle pipe for nominal length L		Weight	C
Part-No.	L (mm)	kg	
445.3346	300	0,26	9/16" - 18UNF LH
445.3347	500	0,43	
445.3348	750	0,64	
445.3349	1000	0,85	
445.3584	1500	1,30	
445.3350	2000	1,69	
445.3351	3000	2,53	
445.3352	4000	3,37	
445.3353	5000	4,21	
445.3354	6000	5,05	
445.4555	7000	5,89	

Gun housing cpl.
HP 1500S-V – E – EXI
Part-No.: 001.1694
Weight appr.: 3,0 kg

Body support
Part-No.: 010.3658
Weight appr.: 0,73kg



Turnable hose connection	
Part-No.:	B
011.1603	M22x1,5 24°DK
011.0716	M22x1,5 60°DK
011.0717	M24x1,5 24°DK
011.0718	G 1/2 60°DK

Hose connection	
Part-No.	A
010.7911	M22x1,5 24°DK
010.7912	M22x1,5 60°DK
010.7913	M24x1,5 24°DK
010.7914	G 1/2 A 60°DK
010.7915	G 3/4 A 60°DK

