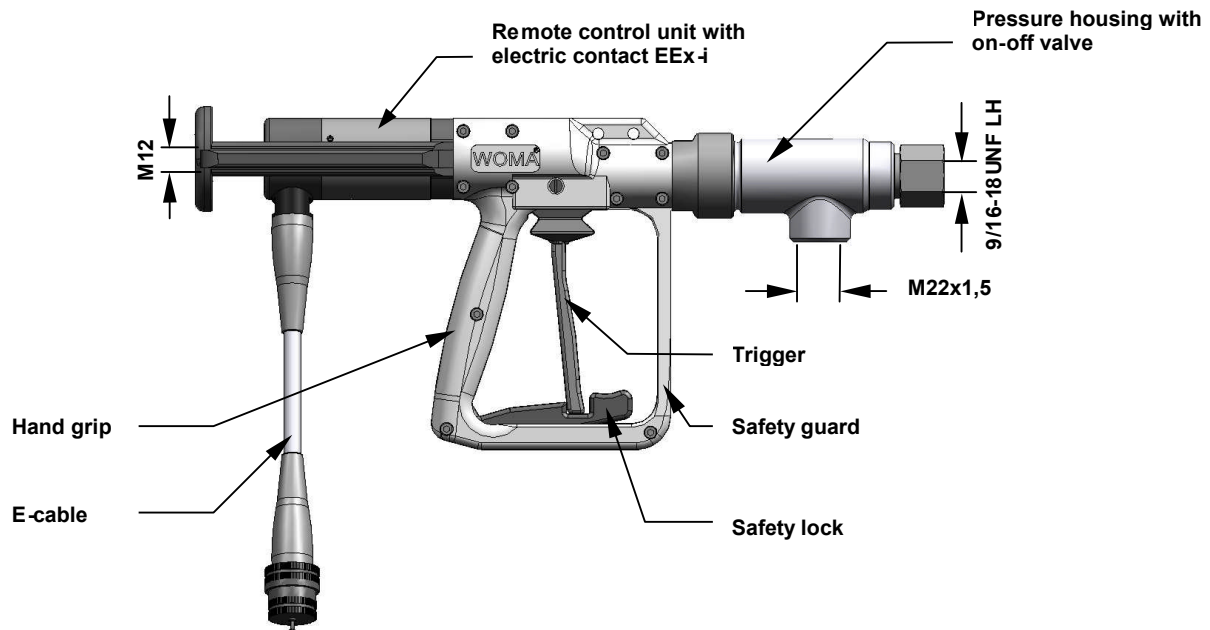


High Pressure Gun

HP 1500S-V-E-EXI



Description:

The HP 1500S-V-E-EXI is a positive shutoff type high pressure jetting gun which incorporates an internal on/off valve and low voltage micro switch into its design.

Standard equipment includes; a trigger safety guard and latching trigger lock to prevent unintentional use, forged steel pressure housing and light weight polymerized hand grip.

Advantages:

High safety standard.

Turnable hand grip for easy operation.

Full encapsulated polymerized hand grip offers high tensile strength and excellent resistant to most chemicals.

All functional parts are protected from dirt and water invasion.

Technical data:

Part-No. :	001.1568
Operating pressure:	max. 1500 bar
Medium temperature:	max. + 100°C
Recoil force perm. without body support:	max. 150 N
Recoil force perm. with body support:	max. 250 N
Pressure loss:	5 bar at 30 l/min
Weight:	appr. 3,0 kg
Overall length:	appr. 460 mm
Overall height:	appr. 196 mm
Overall width:	appr. 72 mm

HP 1500S-V-E-EXI - Components

Nozzle connection	
Part-No.	for nozzle form
010.7275	1 and 8
010.8086	4 and 19
180.1702	21

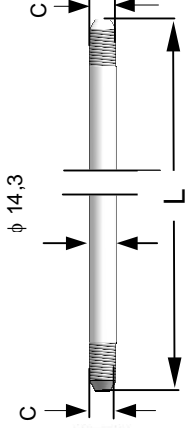
Nozzle connect on for nozzle Form4 for coherent jet forming
PartNo.: 01.0.9331

Orbimaster 500 - 2500 see product sheets Z-131 - Z-135

Turbo nozzle TD1000 TD2000 see product sheets Z-147 - Z-148

Nozzle pipe for nominal length L	Weight	C
Part-No. L (mm)	kg	
445.3346	300	0,26
445.3347	500	0,43
445.3348	750	0,64
445.3349	1000	0,85
445.3584	1500	1,30
445.3350	2000	1,69
445.3351	3000	2,53
445.3352	4000	3,37
445.3353	5000	4,21
445.3354	6000	5,05
445.4555	7000	5,89

9/16" - 18UNF LH



Hand grip Part-No.: 010.4923

Hand guard Part-No.: 011.1947

Turnable hose connection	
Part-No.	B
011.0716	M22x1,5 60°DK
011.0717	M24x1,5 24°DK
011.0718	G 1/2 60°DK

Hose connection

Part-No.	A
010.7911	M22x1,5 24°DK
010.7912	M22x1,5 60°DK
010.7913	M24x1,5 24°DK
010.7914	G 1/2 A 60°DK
010.7915	G 3/4 A 60°DK

Gun housing cpl. HP 1500S-V-E-EXI
Part-No.: 00.1.1568
Weight: appr. 3 kg

E-cable 300 mm long
Electric connection EEx-i

Body support
Part-No.: 010.3658
Weight: appr. 0,73 kg

