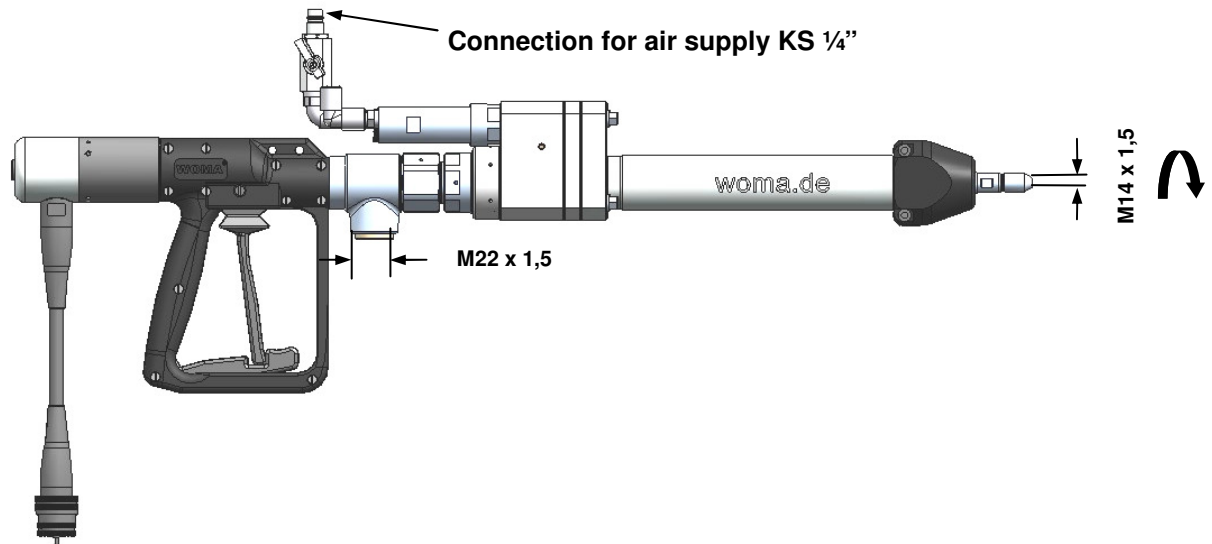


High-Pressure Gun

HP1500RL-E-24V



Description:

The HP1500RL-E-24V is a high-pressure jetting gun equipped with a pneumatically driven rotary lead-through and an electric remote control, suitable for a wide range of application.

The composition of HP-Gun and nozzle carrier head represents a highly efficient water tool, which guarantees – depending on the rotation of the nozzle carrier head – a high surface treatment/cleaning rate.

The equipment includes a safety lock, as well as a hand grip made of plastic and a pressure housing made of forged steel.

Special characteristics:

- Rotational speed adjustable by air pressure and quantity
- Low weight
- Compact design with small dimensions
- Optimum running qualities
- Parts under pressure made of high-tensile stainless steel
- Turnable hand grip for easy handling
- All moving parts are protected from dirt and water invasion

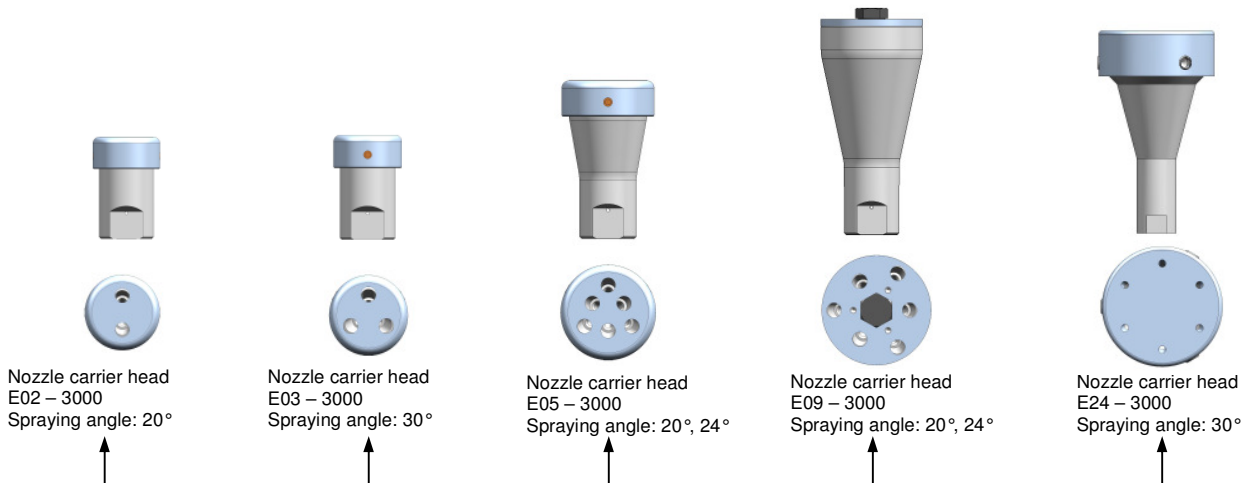
Technical Data:

Part-No.:	001.1808
Operating pressure:	max. 1500 bar
Flow rate:	max. 25 l/min
Medium temperature:	max. +50 °C
Weight:	approx. 5,50 kg
Working pressure of the air motor:	6,5 bar
Working pressure at working rpm:	0,16 kW 2500 1/min
Air consumption:	0,4 m ³ /min at 6,5 bar
Sense of rotation:	Clockwise in jet direction
Length:	approx. 800 mm
Width:	approx. 56 mm
Height:	approx. 200 mm
Permissible recoil force without body support:	max. 150 N
Permissible recoil force with body support:	max. 250 N



Wasser als Werkzeug für eine saubere Umwelt

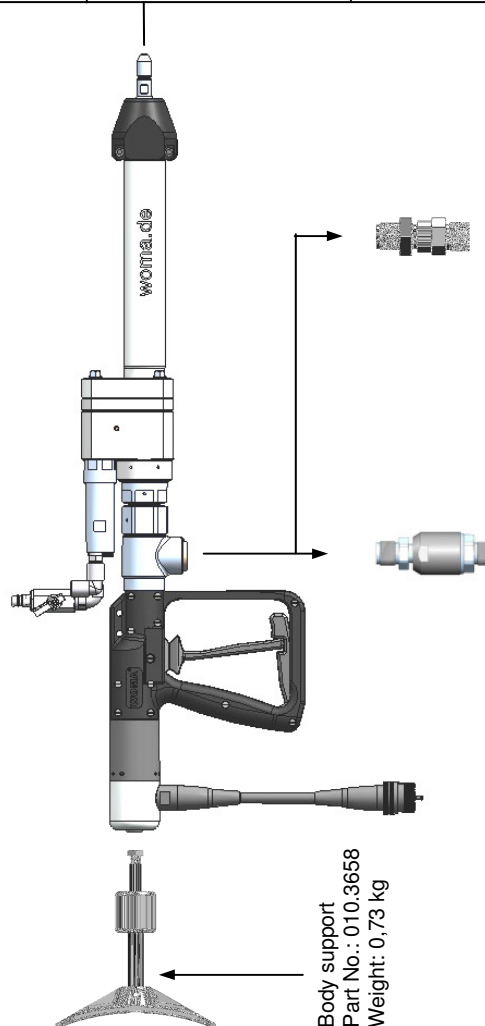
High-Pressure Gun HP1500RL-E-24V - Components



Nozzle carrier head			Weight
Part-No.:	Number of nozzles form 21 LL	Type-bar	kg
341.0585	2	E 02-3000	0,45
341.0586	3	E 03-3000	0,45
341.0583	3 or 6	E 05-2500	0,47
341.0584	3 or 6	E 09-3000	0,85
341.0305	3 or 6	E 24-3000	0,85

Hose connection		A
Part-No.		
010.7911	M22x1,5 24°DK	
010.7912	M22x1,5 60°DK	
010.7913	M24x1,5 24°DK	
010.7914	G 1/2 A 60°DK	
010.7915	G 3/4 A 60°DK	

Turnable hose connection		B
Part-No.:		
011.1603	M22x1,5 24°DK	
011.0716	M22x1,5 60°DK	
011.0717	M24x1,5 24°DK	
011.0718	G 1/2 60°DK	



Operating information:

The air motor is only to be used with dry, clean and lubricated air.
 Only fill up with pneumatic oil
 WOMA PN 400.0342
 – viscosity class ISO VG 46 –.
 The max. permitted air pressure of 6,5 bar has not to be exceeded.

