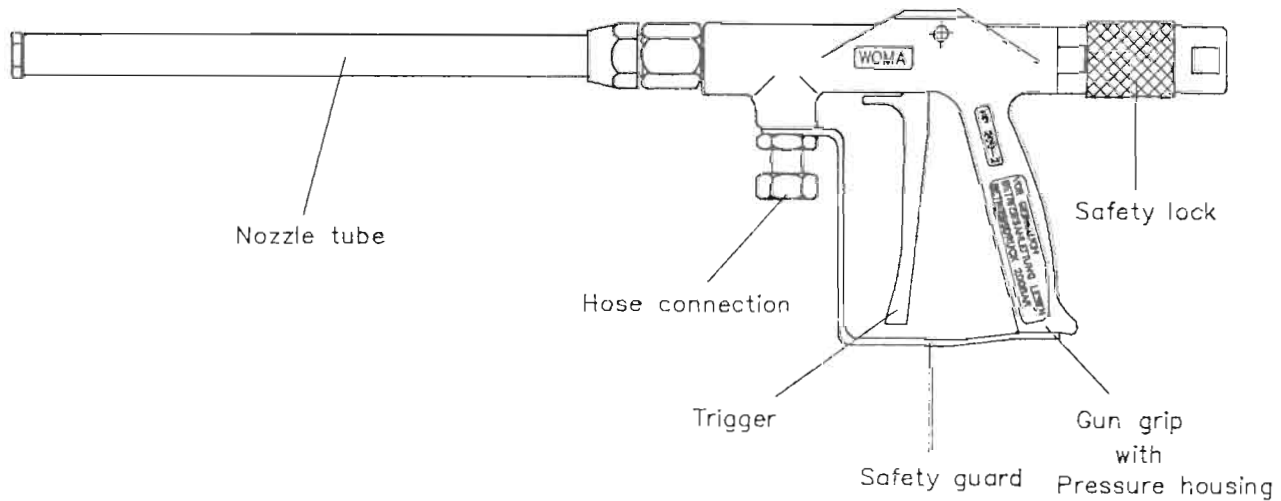




High Pressure Gun HP 200-2



Description:

The HP 200-2 is a lightweight high pressure gun designed for a max. operating pressure of 200 bar. A special valve construction makes sure that there is no sudden recoil as long as the trigger is pulled slowly. By this the gun complies with the "Richtlinien für Flüssigkeitsstrahler" ZH 1/406, October 1987.

The HP 200-2 can be used for different jetting purposes.

Safety guard and rotary lock as well as gun grip with light metal pressure housing as standard equipment.

Advantages:

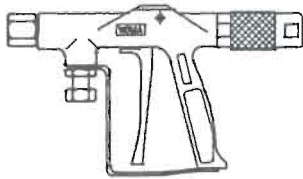
- high safety standard
- safety guard and reliable safety lock
- slowly increasable operating pressure
- no sudden recoil
- quick nozzle change

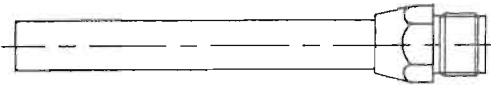
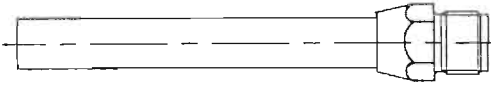
Technical data:

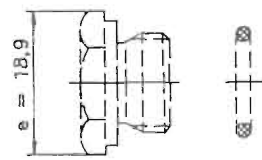
Part-No.	:	001.0730.0
Operating pressure	:	max. 200 bar
Test pressure	:	max. 260 bar
Medium temperature	:	max. + 50°C
Recoil force perm. <u>without body support</u>	:	max. 150 N (~15 kp)
Recoil force perm. <u>with body support</u>	:	max. 250 N (~25 kp)
Weight	:	ca. 3,0 kg
Overall length	:	835 mm
Overall height	:	175 mm
Overall width	:	40 mm
Length of nozzle tube	:	500 mm
Hose connection	:	swivel nut G 3/4
Recommended nozzle	:	form 2 or 5



Components

Gun housing HP 200-2	Weight kg	Part-No.
	2,2	001.0748.2

Nozzle pipe	Operating pressure bar	Length mm	Material	Outer- ϕ mm	Weight kg	Part-No.
	380	500	Steel	17	0,8	010.1300.2
		1000			1,4	010.1301.0
		1500			2,0	010.1302.8
		2000			2,6	010.1303.6
		3000			3,7	010.1304.4
	380	500	Stainless Steel	17	0,7	010.0316.9
		1000			1,2	010.0318.5
		1500			1,7	010.0319.3
		2000			2,2	010.0320.1
		3000			3,2	010.0321.9

Nozzle mounting	Designation	Information	Part-No.
	O-ring	O-ring must be ordered separately.	280.0327.5
	Round jet nozzle	Nozzle sheet D-002-0750-1	
	Fan jet nozzle	Nozzle sheet D-005-0750-1	

Special hose connections on request

Body support, splash guard and adjustable handle see product sheet Z-014-01-88